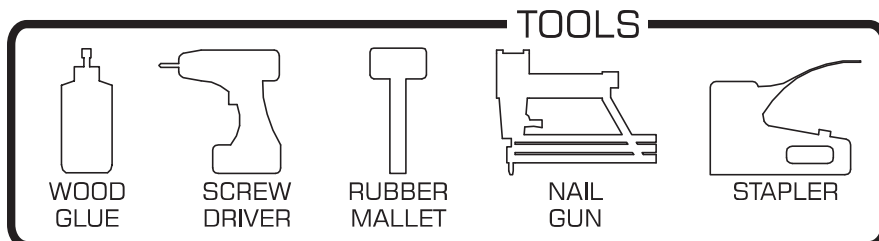
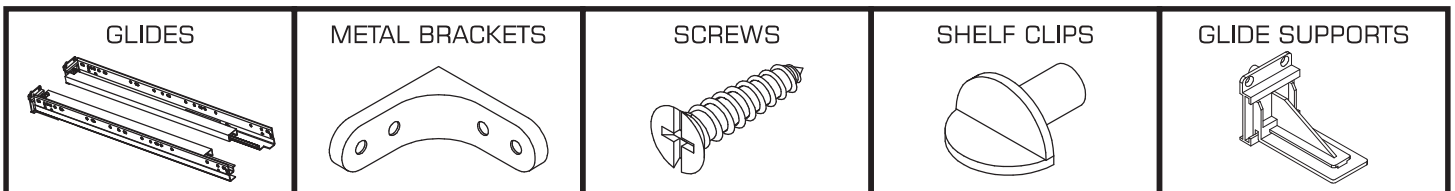
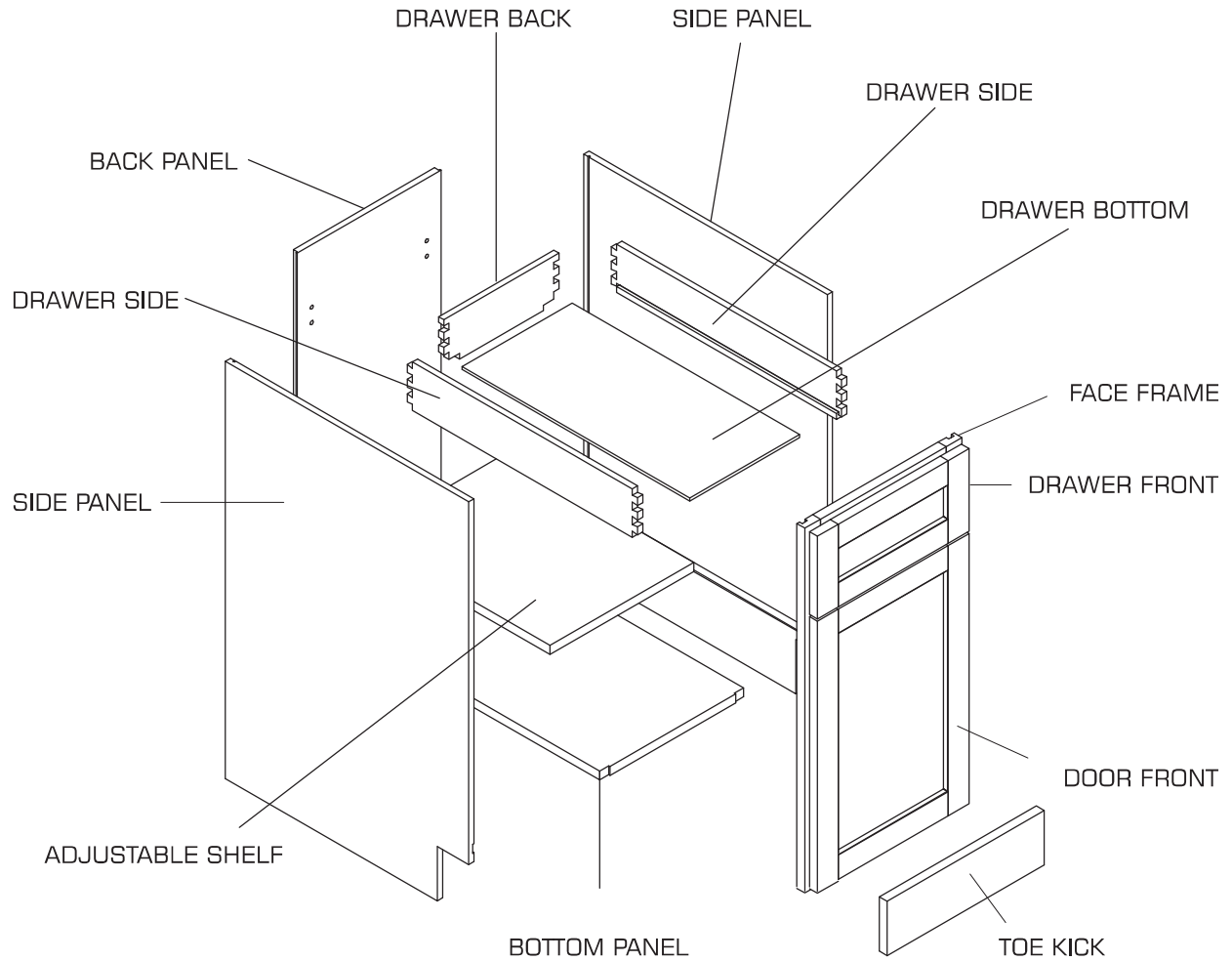
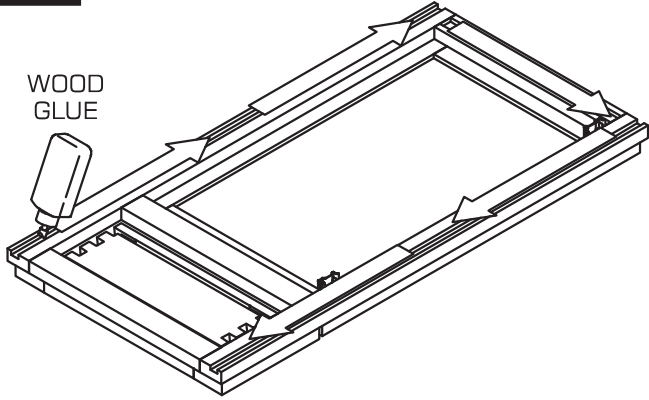


ASSEMBLING INSTRUCTIONS - BASE CABINET

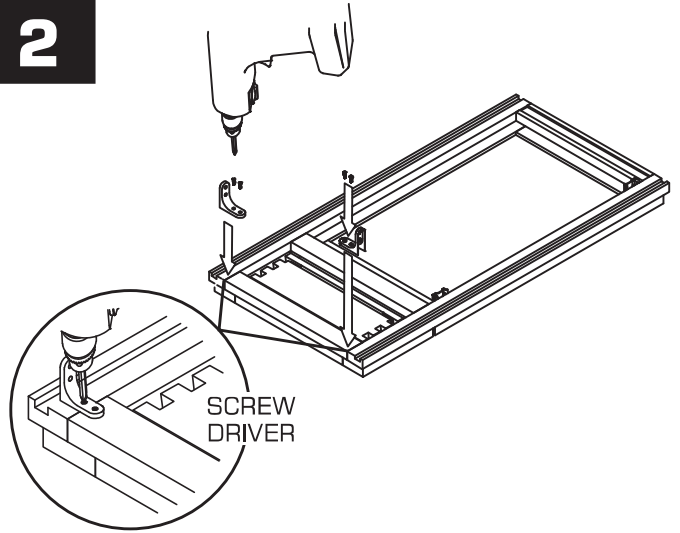
BASE CABINET



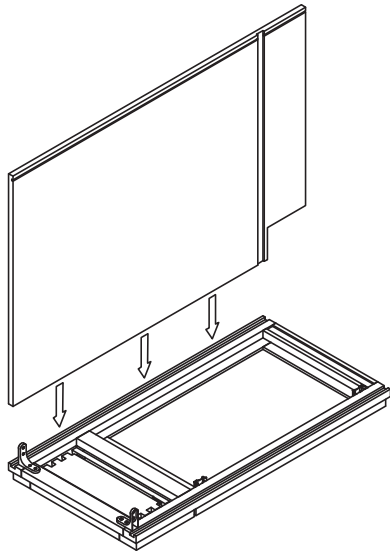
STEP 1



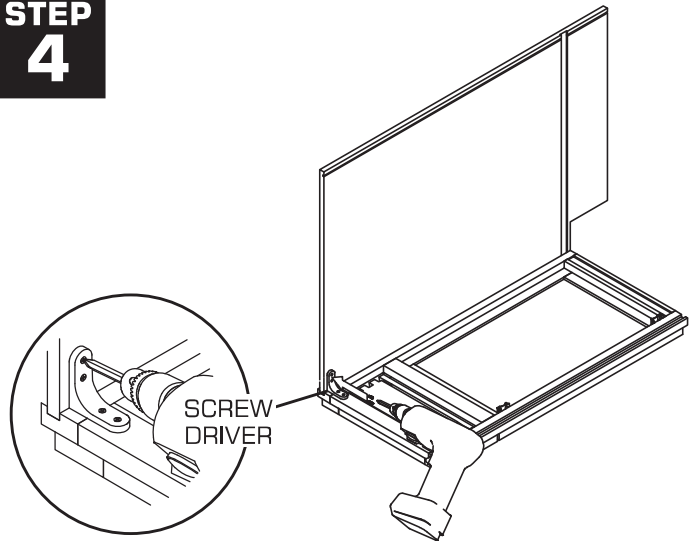
2



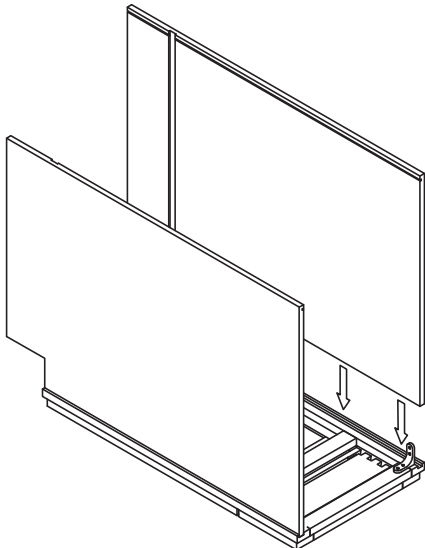
STEP 3



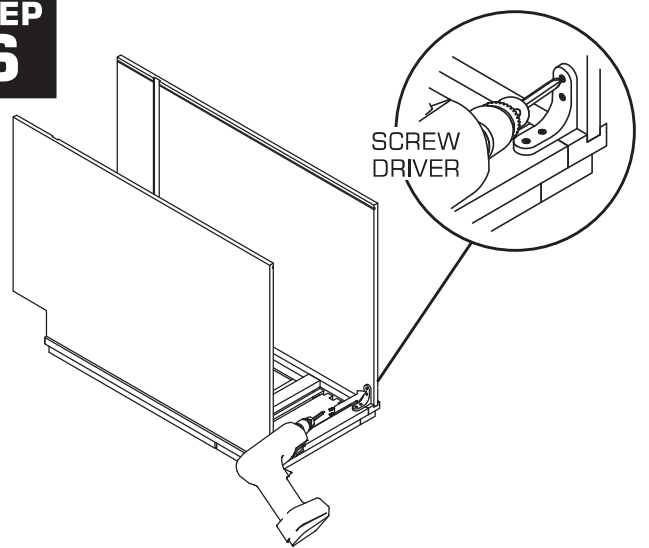
STEP 4



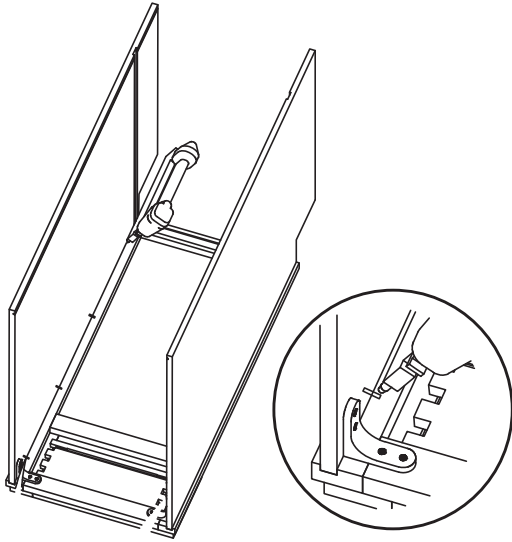
STEP 5



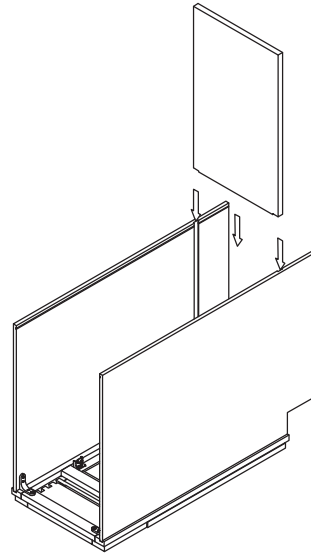
STEP 6



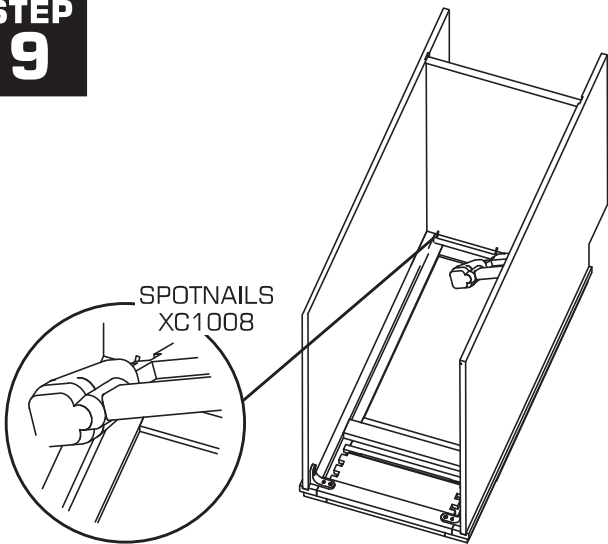
STEP 7



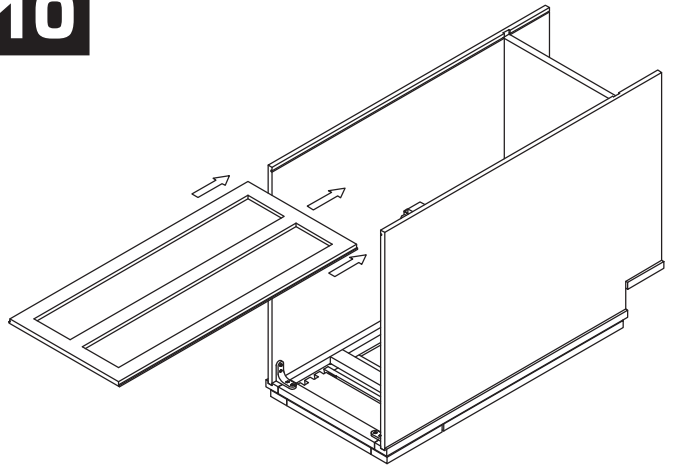
STEP 8



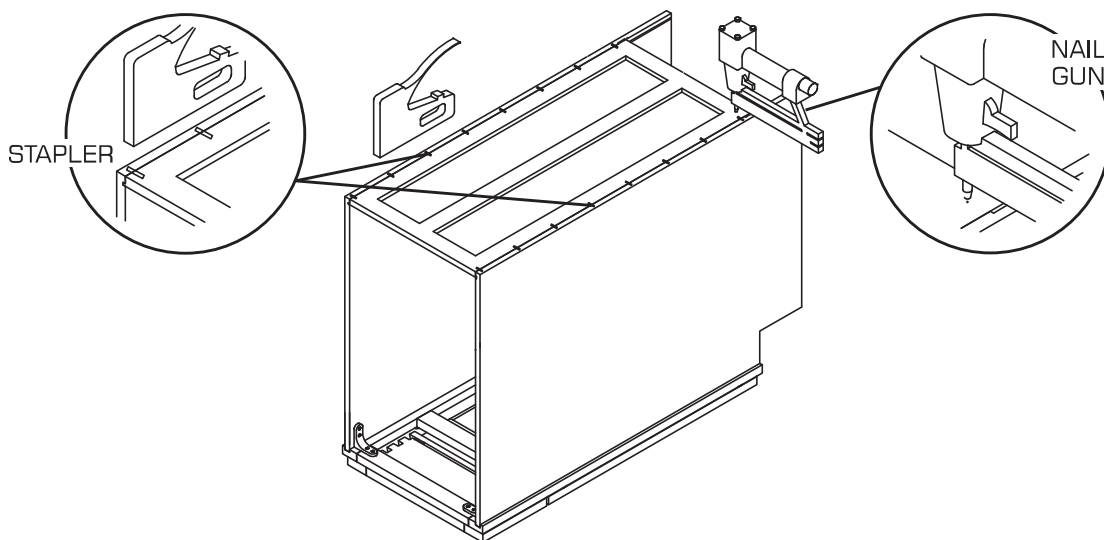
STEP 9



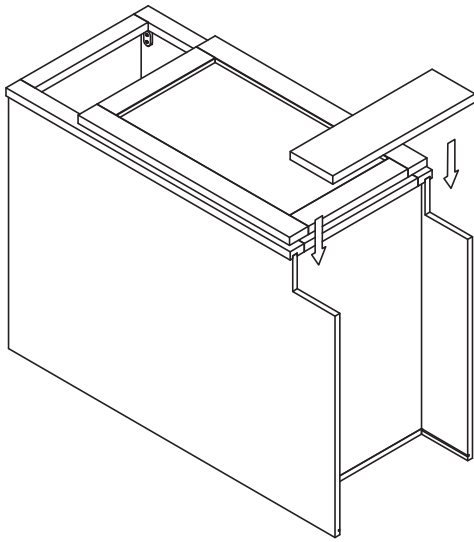
STEP 10



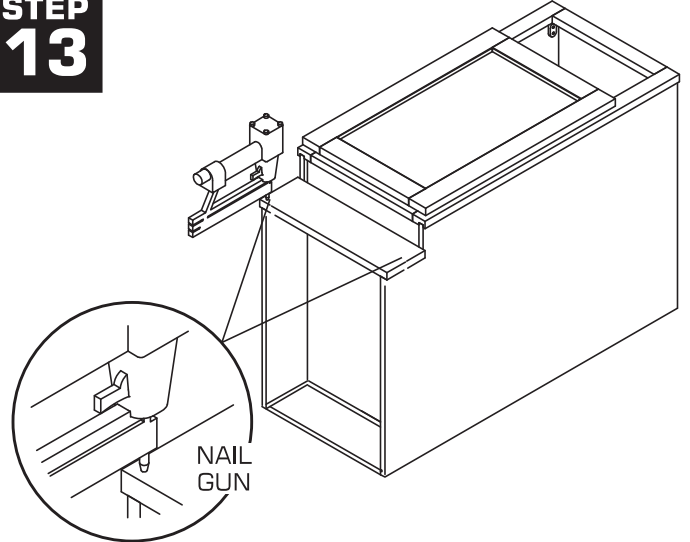
STEP 11



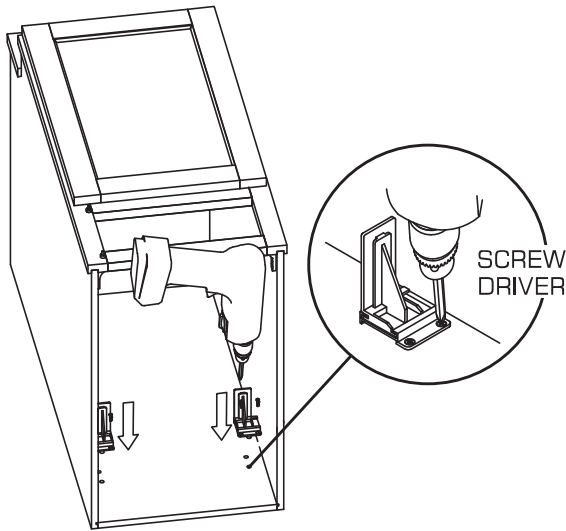
STEP 12



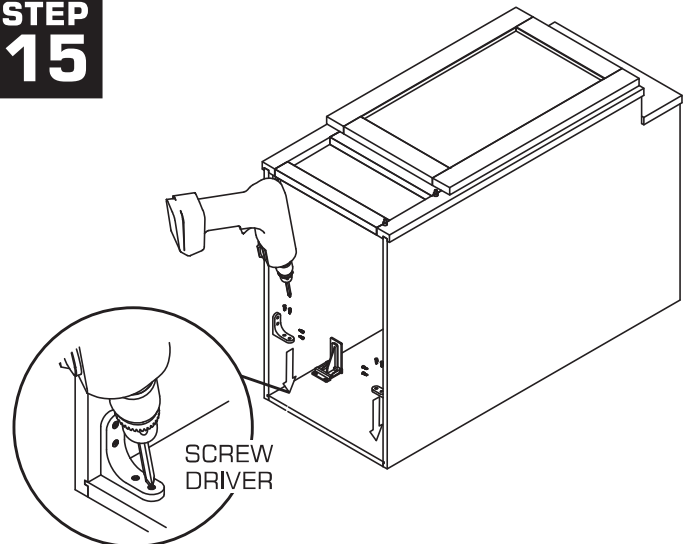
STEP 13



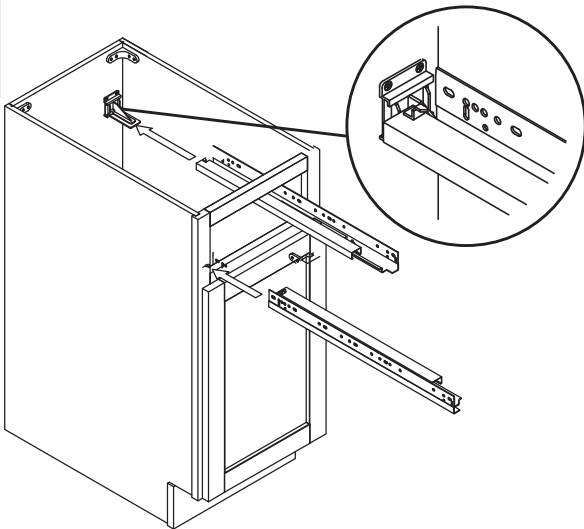
STEP 14



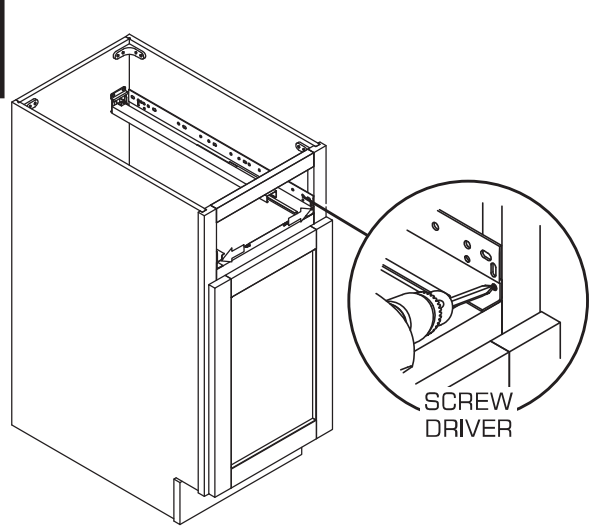
STEP 15



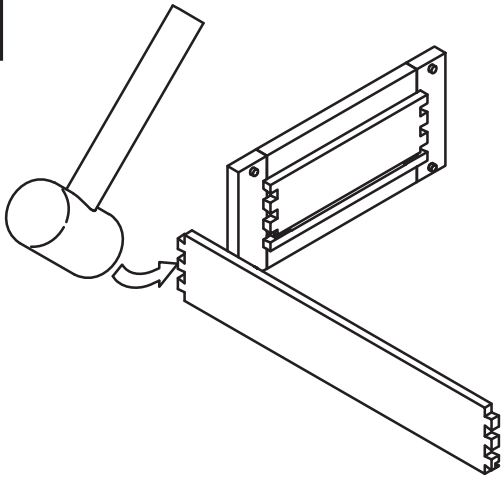
STEP 16



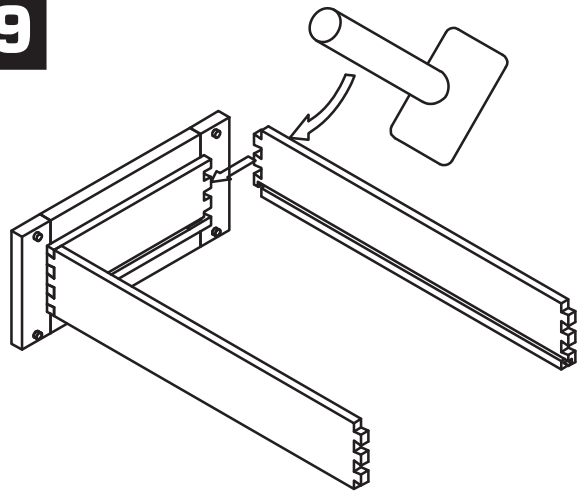
STEP 17



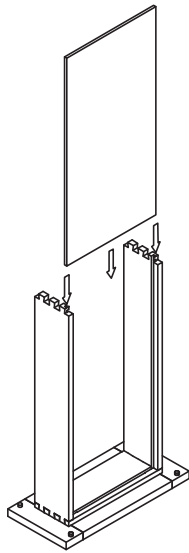
STEP 18



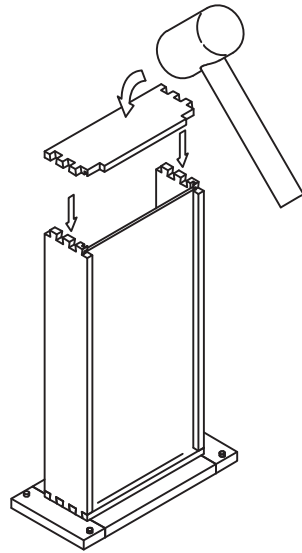
STEP 19



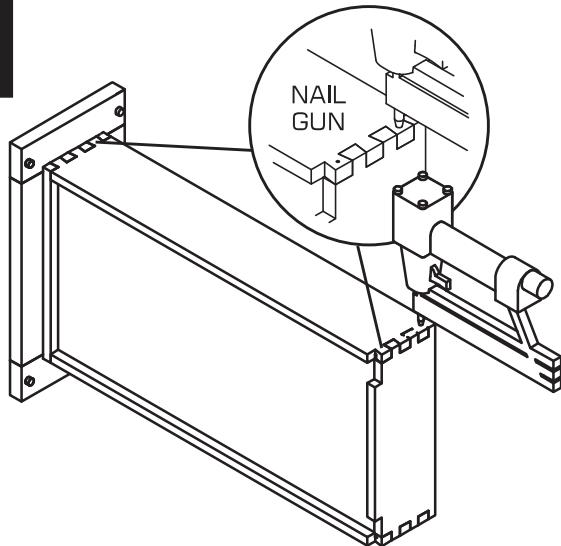
STEP 20



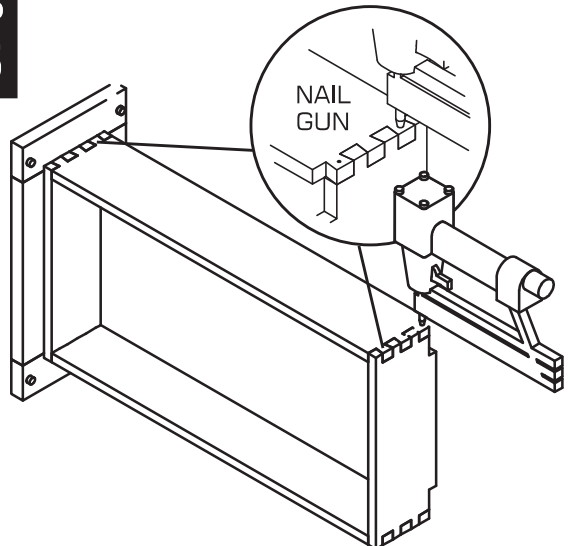
STEP 21



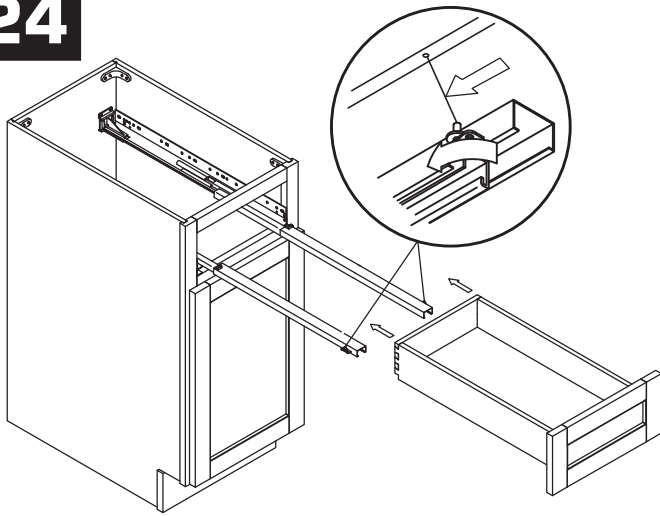
STEP 22



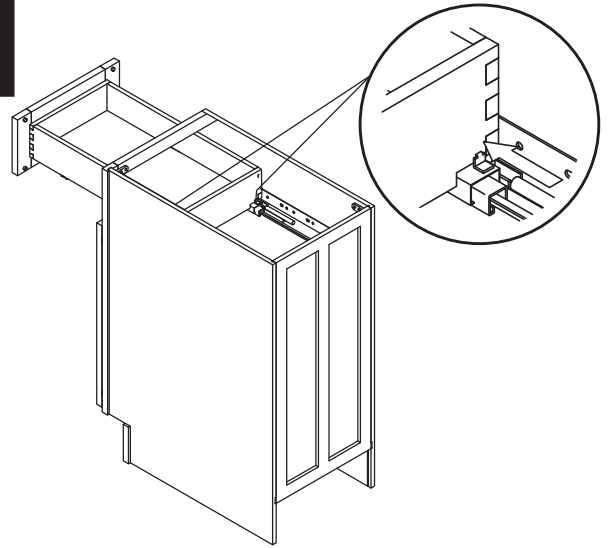
STEP 23



**STEP
24**

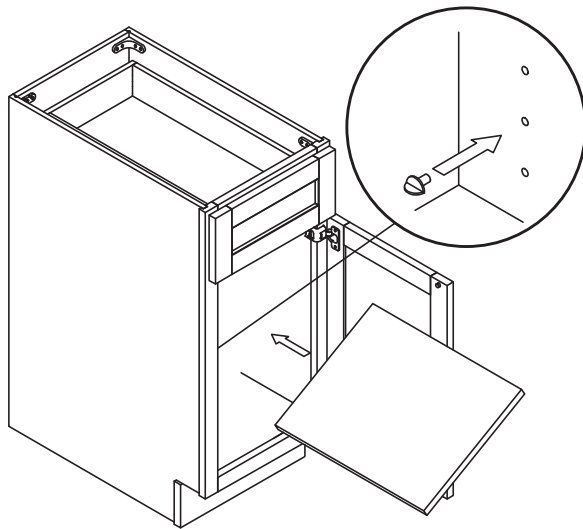


**STEP
25**

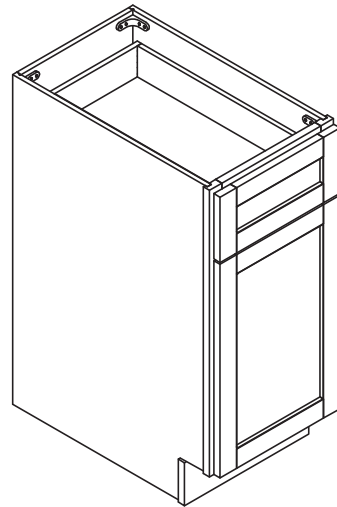


BASE CABINET

**STEP
26**

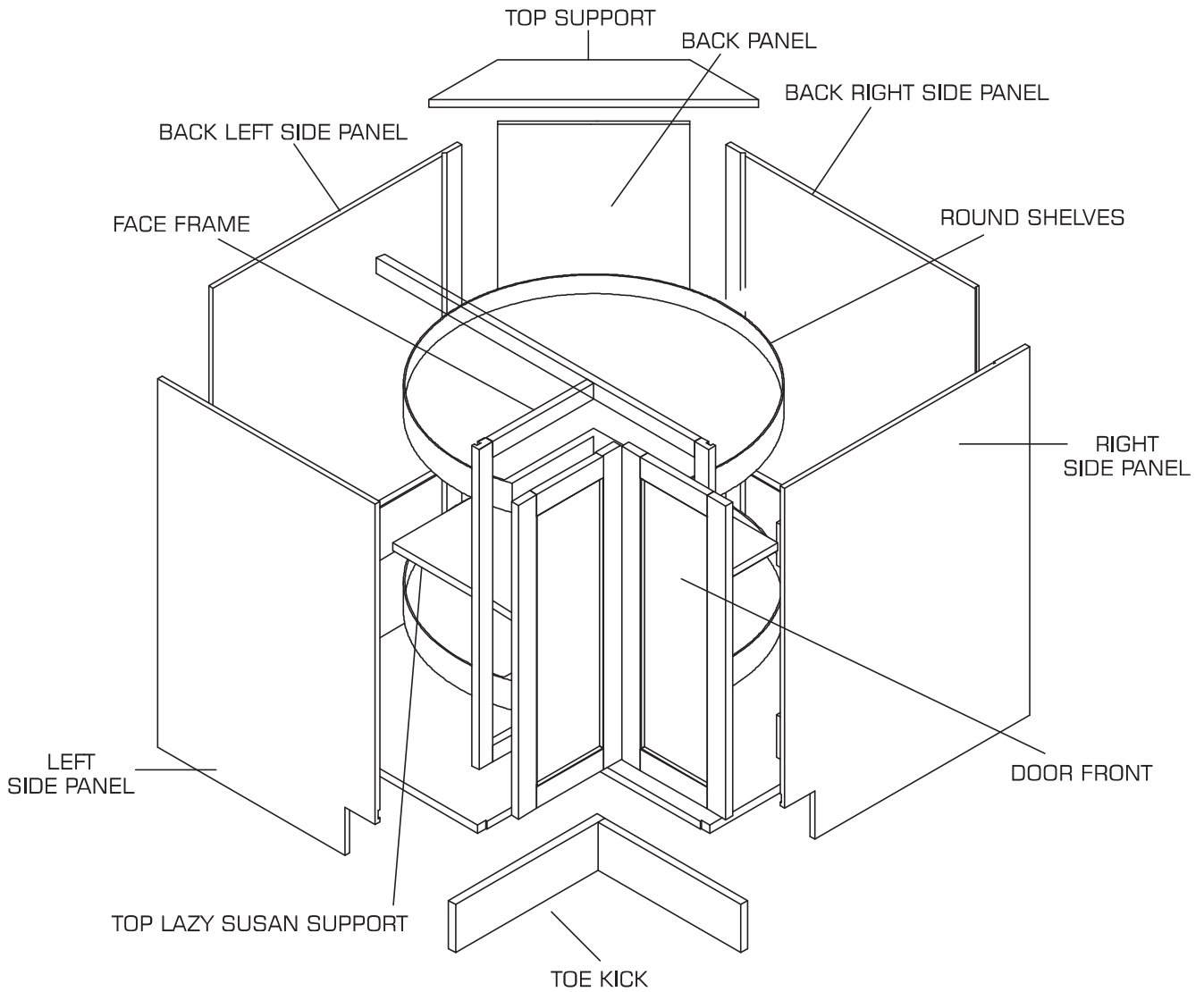


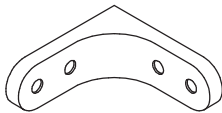
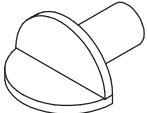
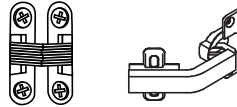
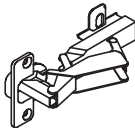

**STEP
27**

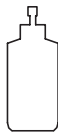

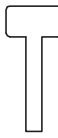
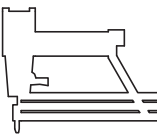
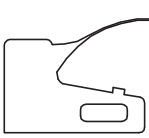


ASSEMBLING INSTRUCTIONS - LAZY SUSAN CABINET

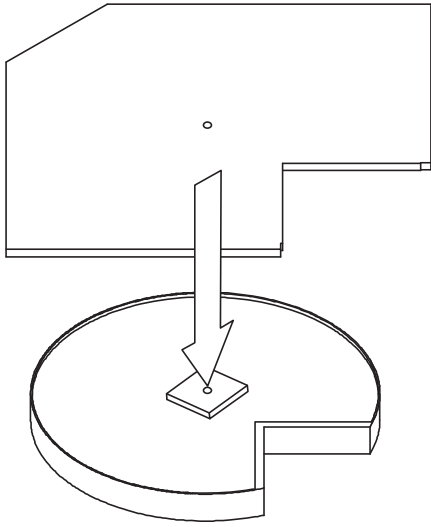
LAZY SUSAN CABINET



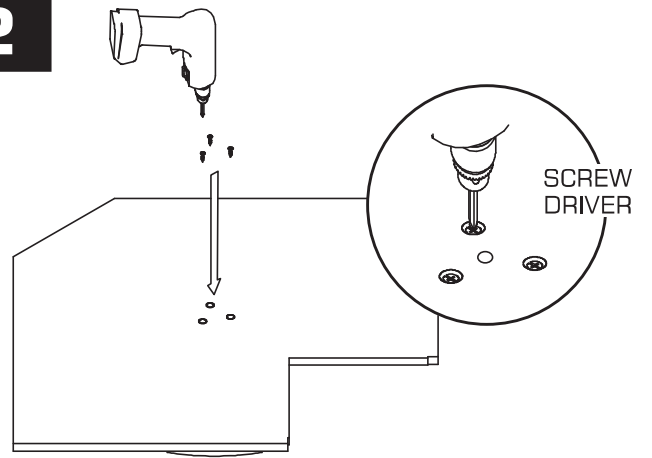
<p>METAL BRACKETS</p> 	<p>SHELF CLIPS</p> 	<p>BIFOLD HINGE</p>  <p>ES/DS/SG CT/PE/NT/AL</p>	<p>170 HINGE</p> 	<p>SCREWS</p> 
---	--	---	--	---

TOOLS				
				
WOOD GLUE	SCREW DRIVER	RUBBER MALLET	NAIL GUN	STAPLER

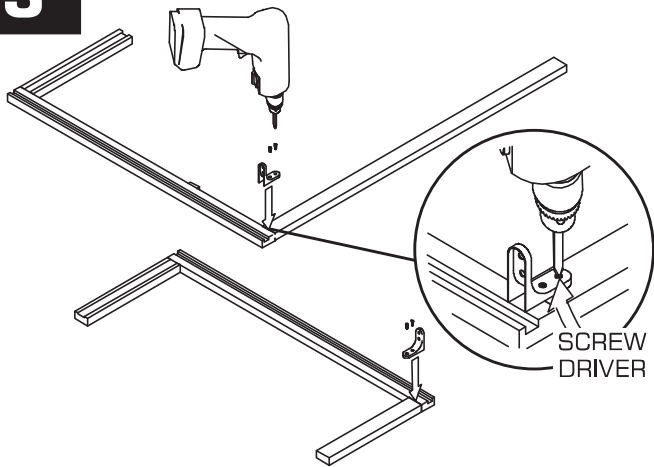
STEP 1



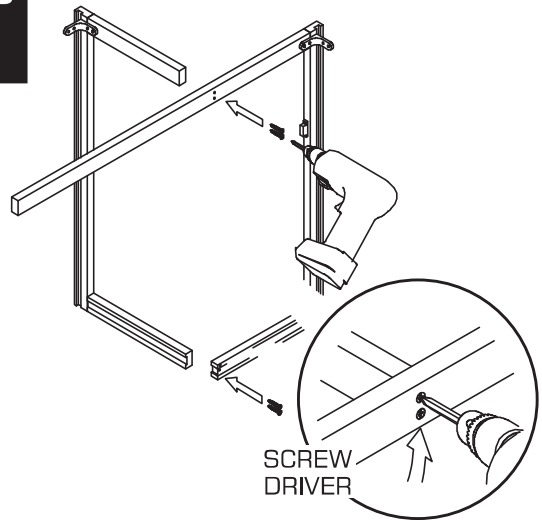
STEP 2



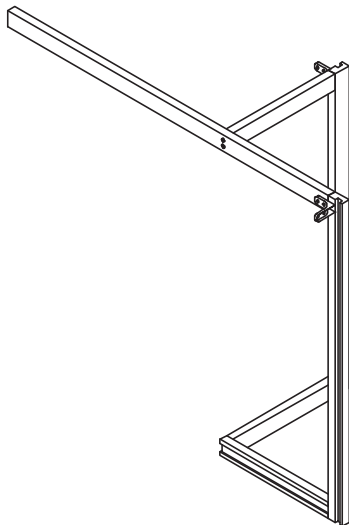
STEP 3



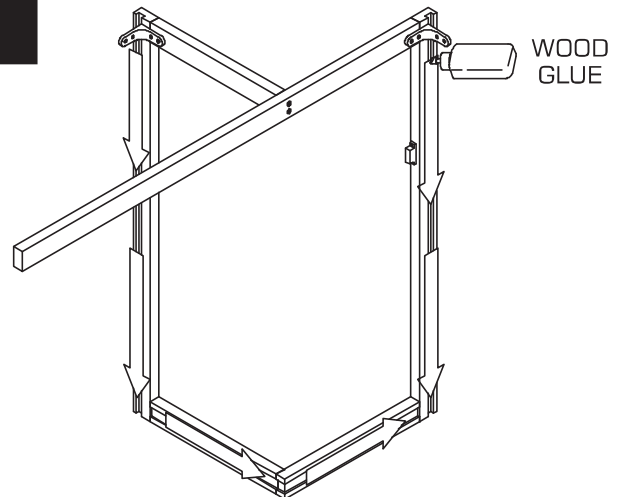
STEP 4



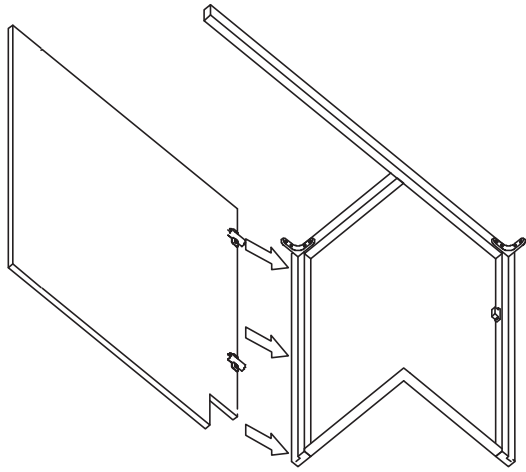
STEP 5



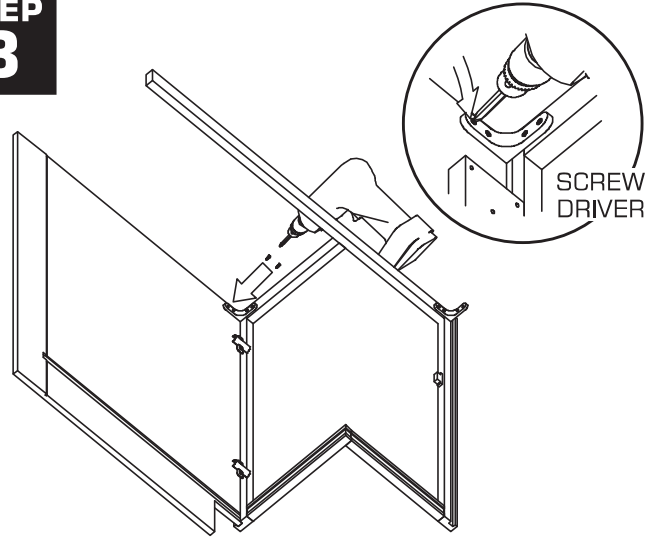
STEP 6



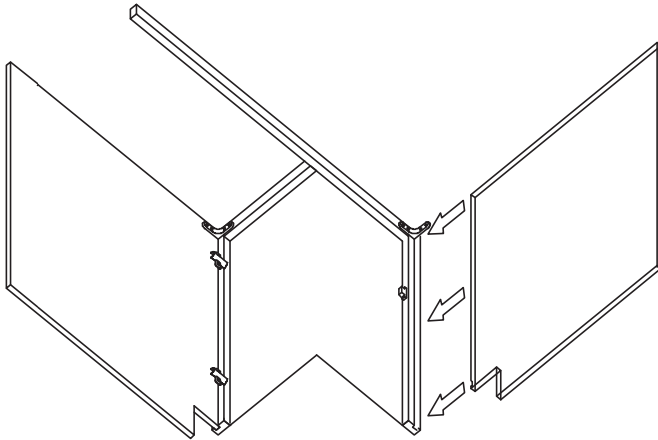
STEP 7



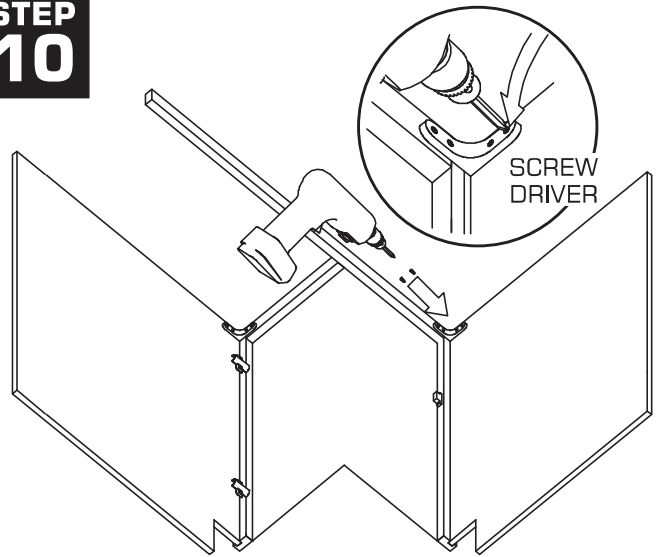
STEP 8



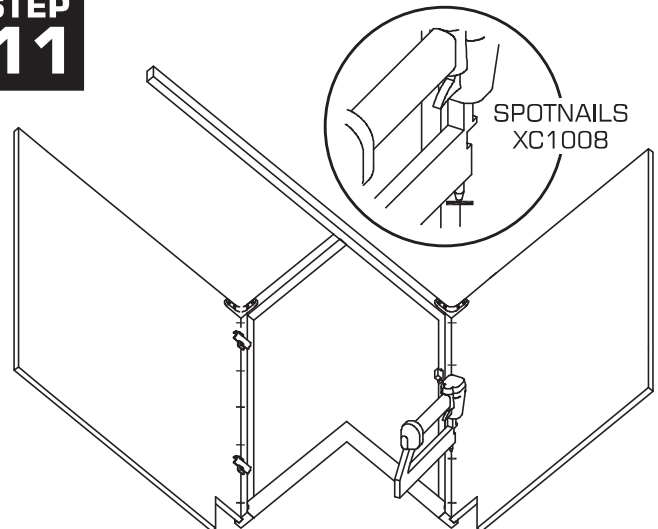
STEP 9



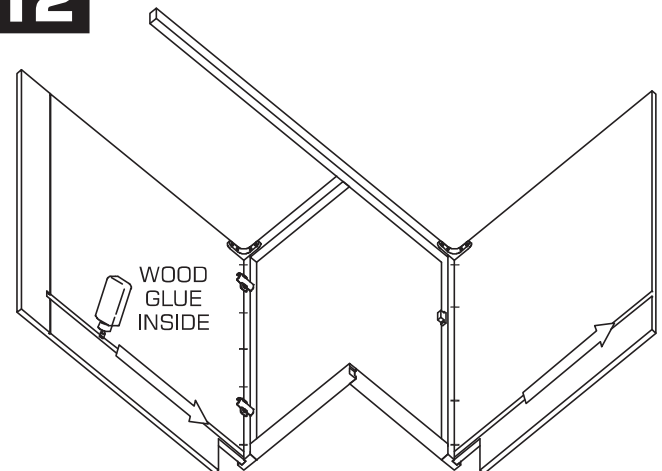
STEP 10



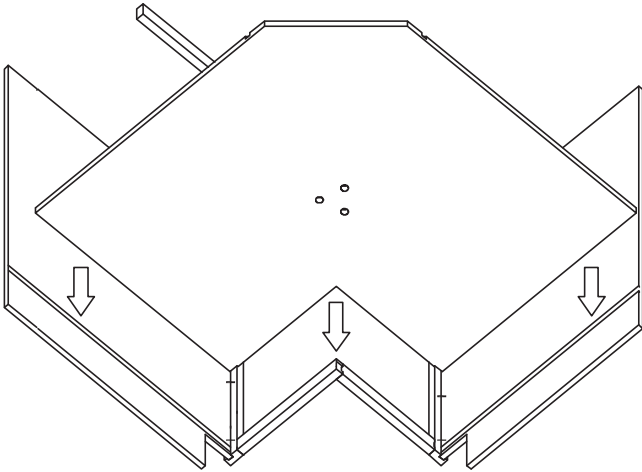
STEP 11



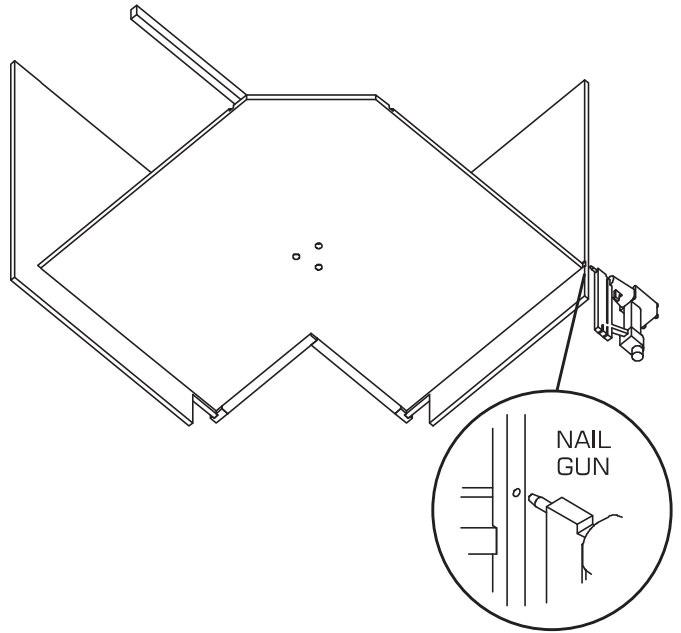
STEP 12



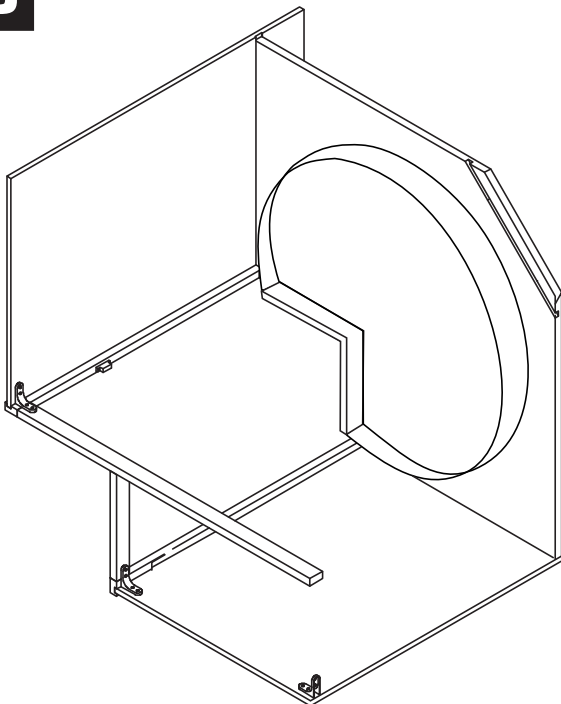
STEP 13



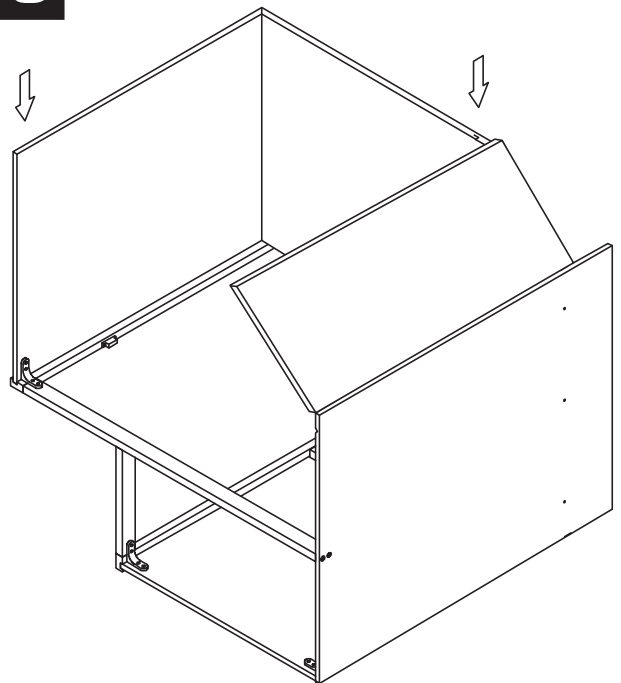
STEP 14



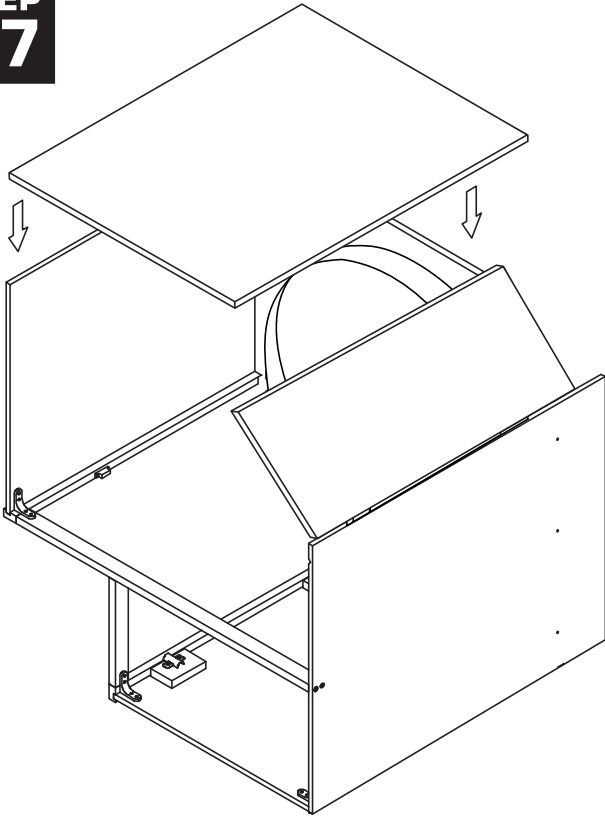
STEP 15



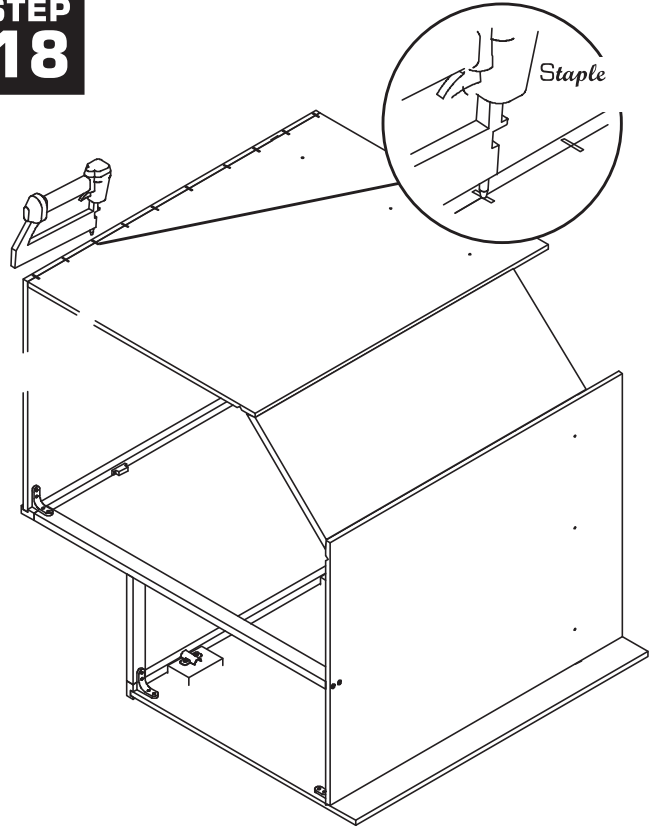
STEP 16



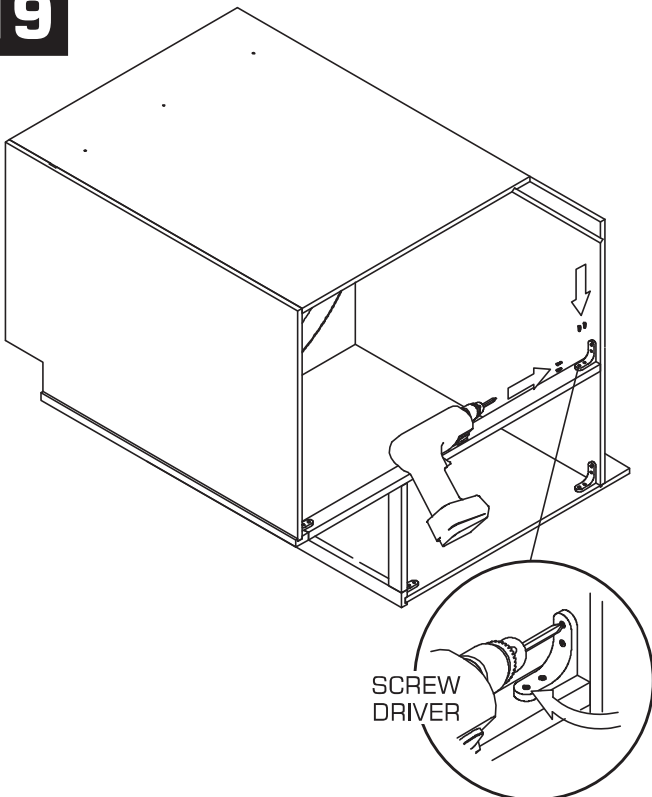
STEP 17



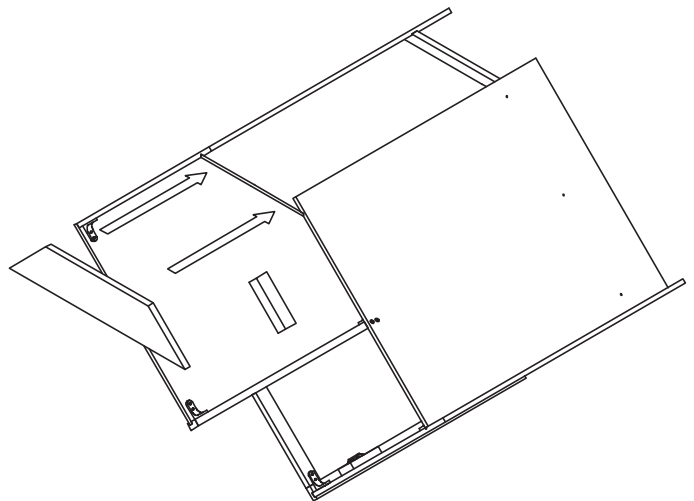
STEP 18



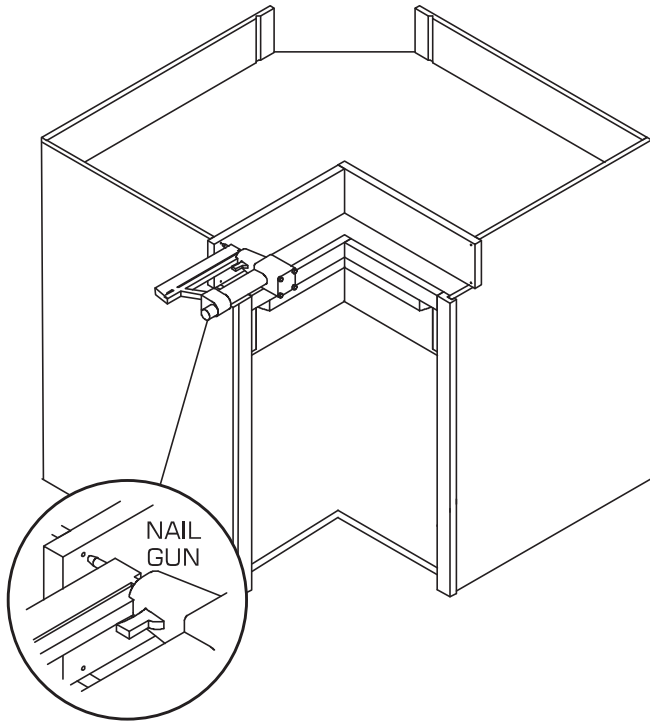
STEP 19



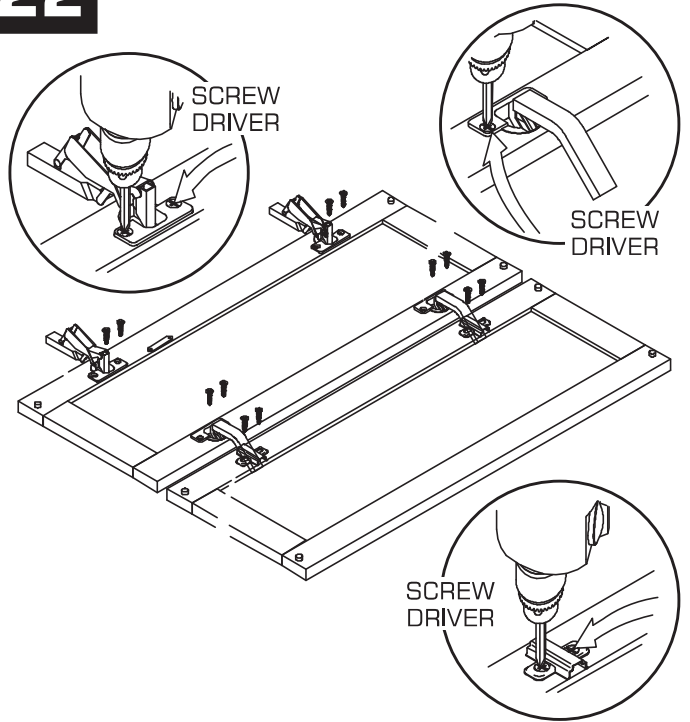
STEP 20



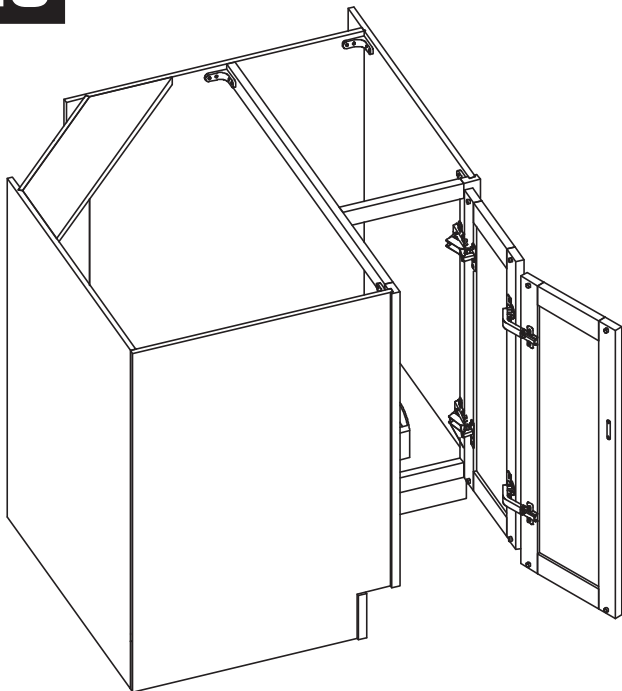
STEP 21



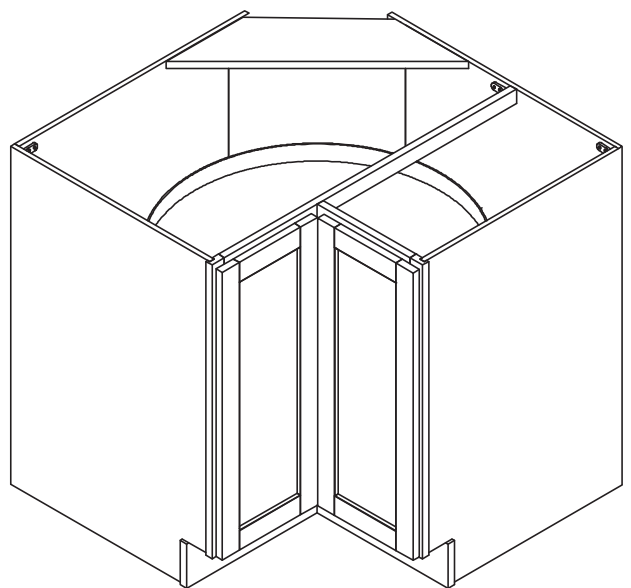
STEP 22



STEP 23

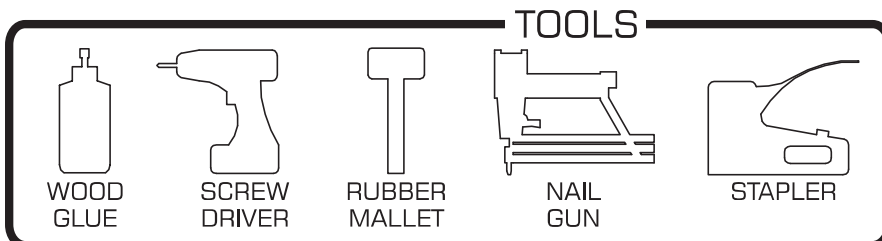
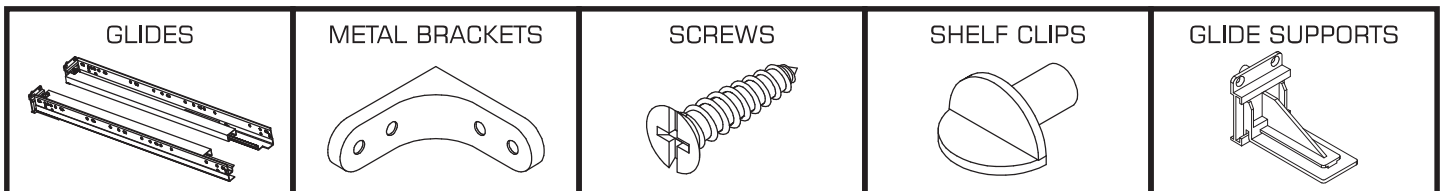
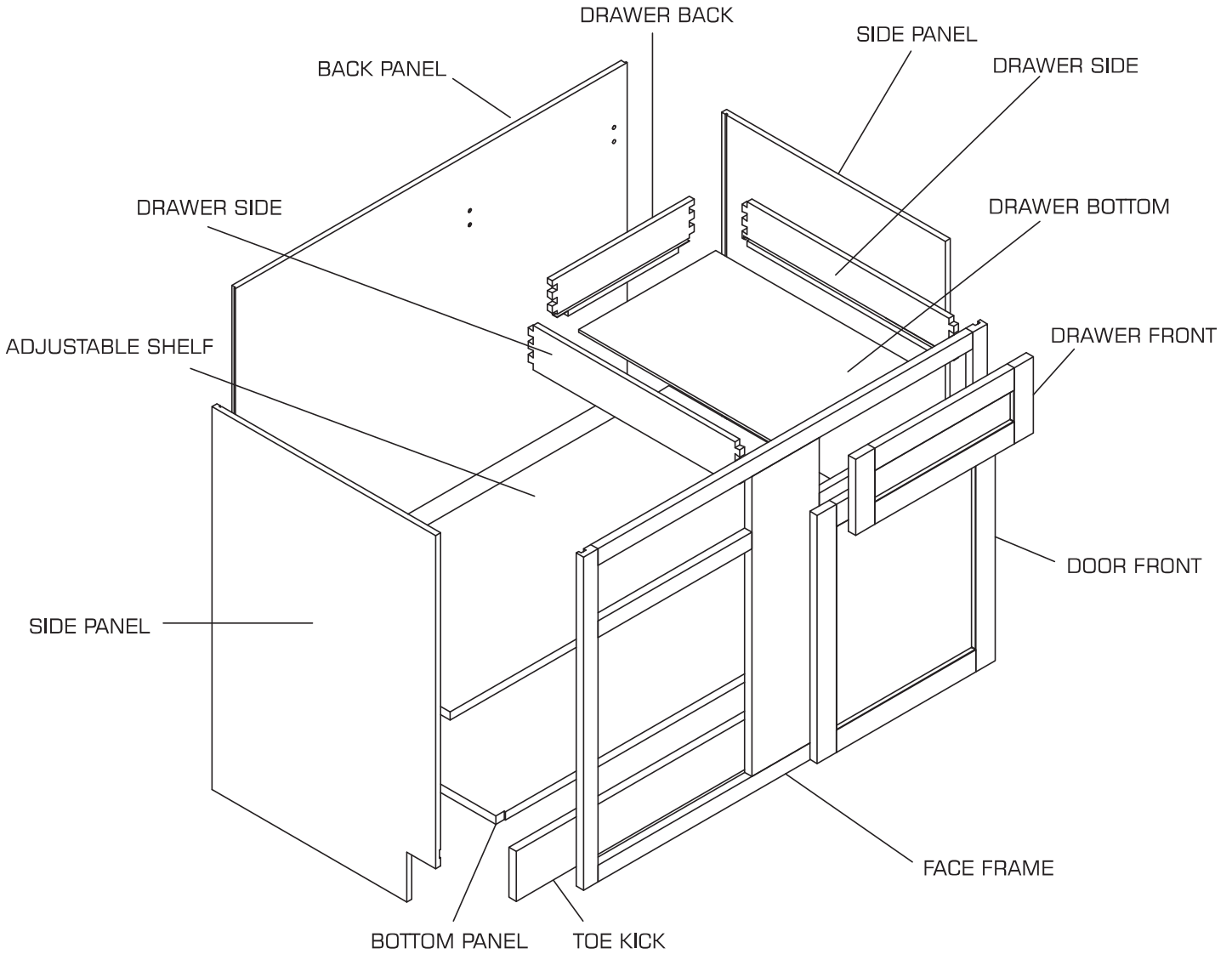


STEP 24



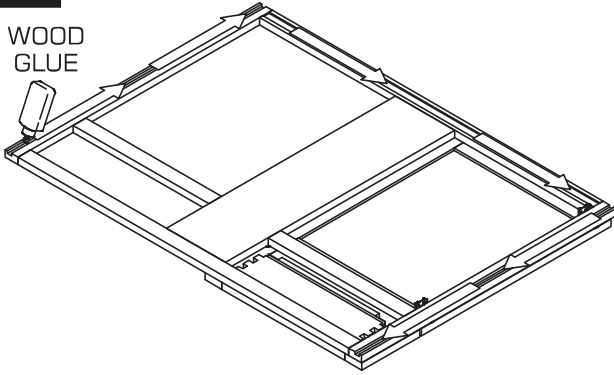
ASSEMBLING INSTRUCTIONS - BLIND CORNER BASE CABINET

BLIND CORNER BASE CABINET

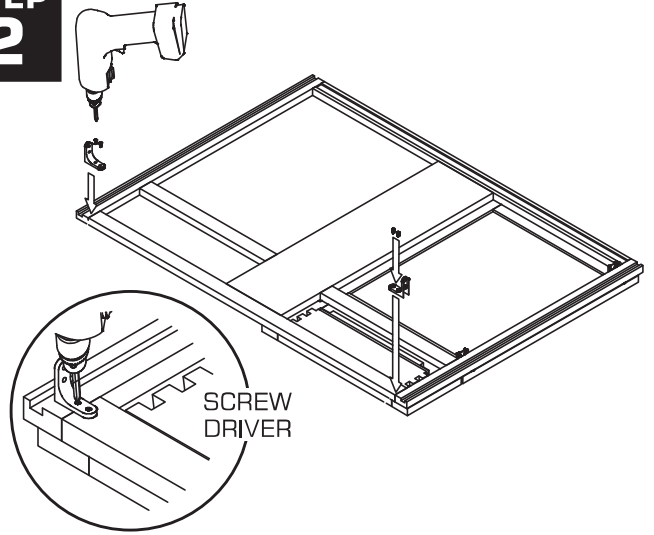


STEP 1

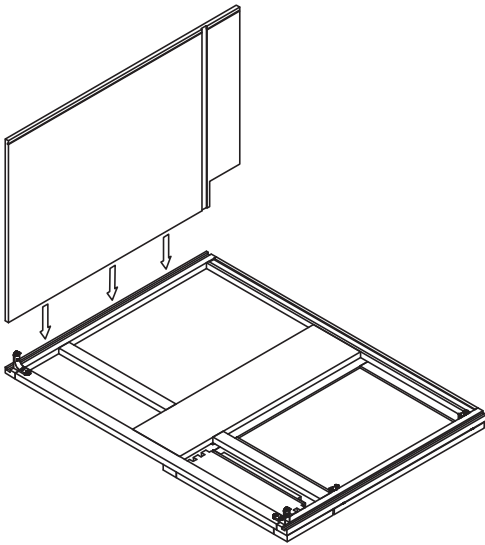
WOOD
GLUE



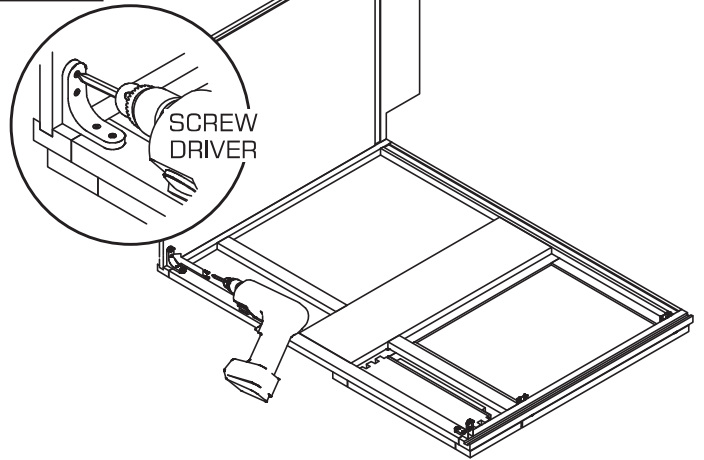
STEP 2



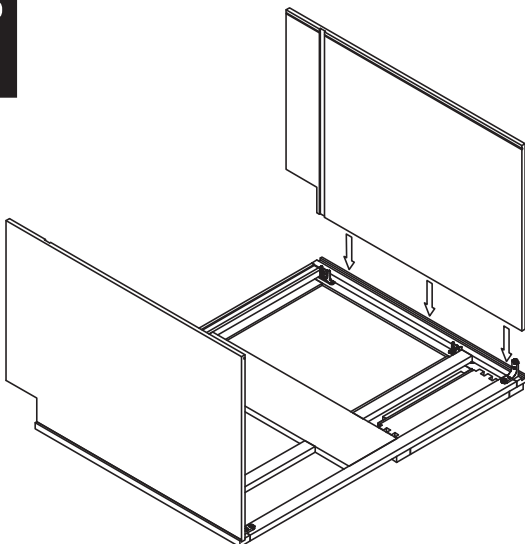
STEP 3



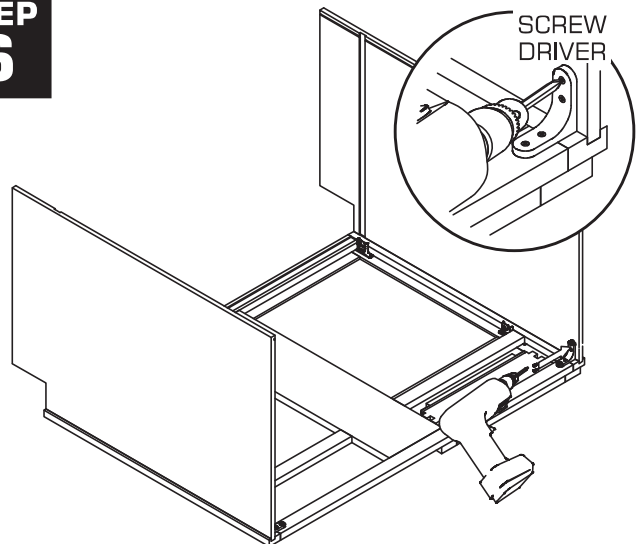
STEP 4



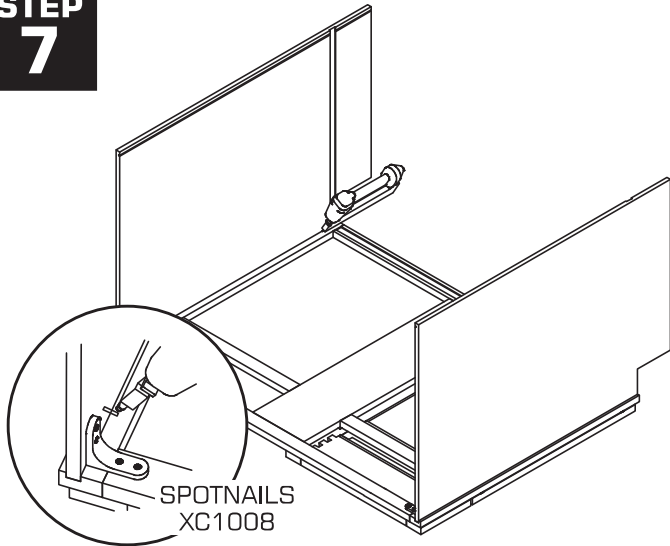
STEP 5



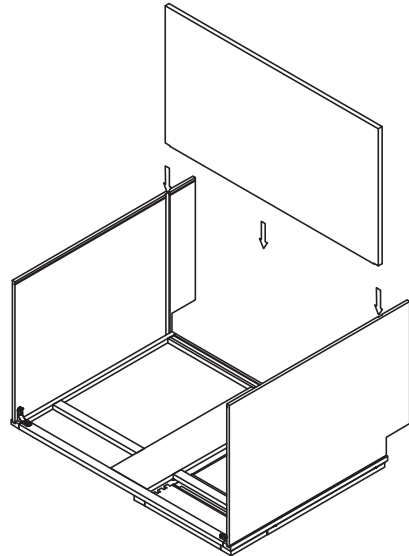
STEP 6



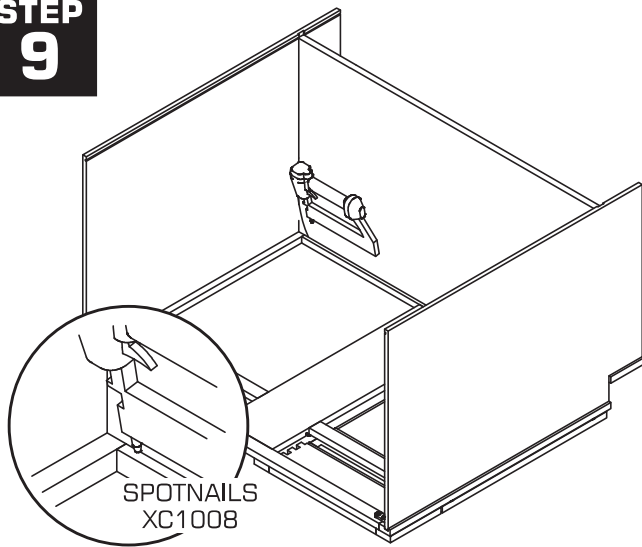
STEP 7



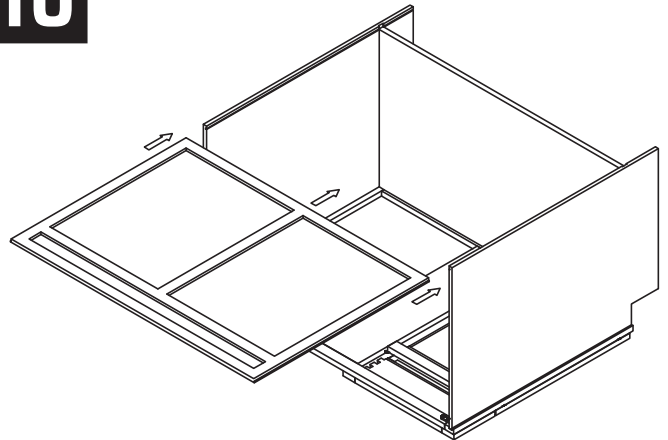
STEP 8



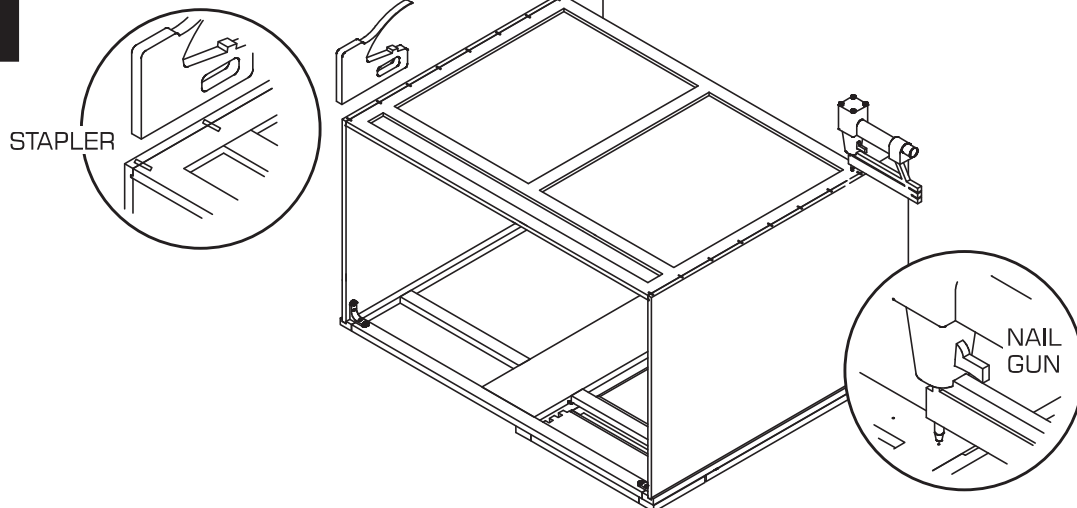
STEP 9



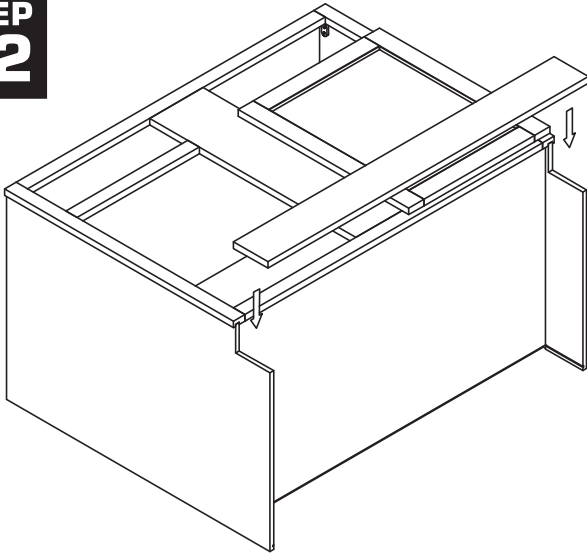
STEP 10



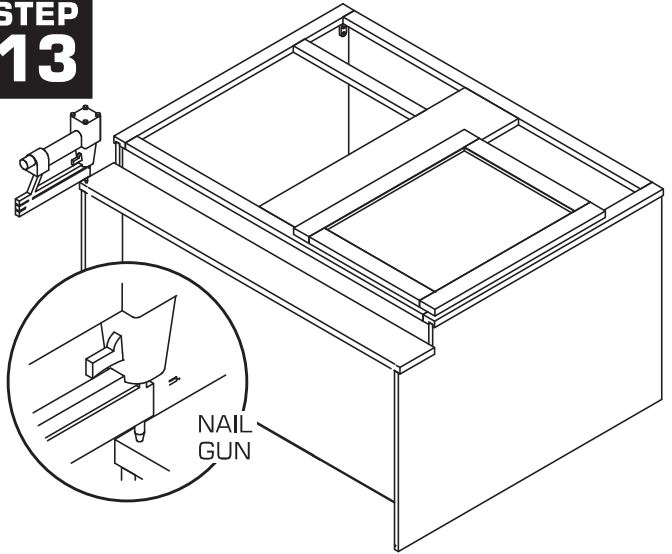
STEP 11



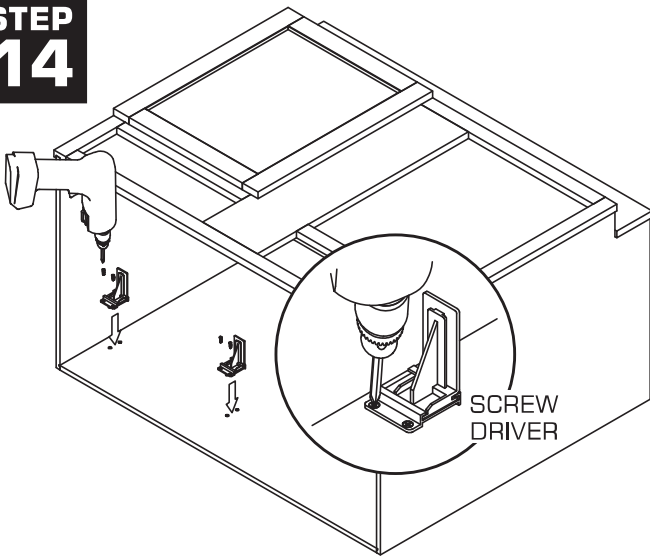
STEP 12



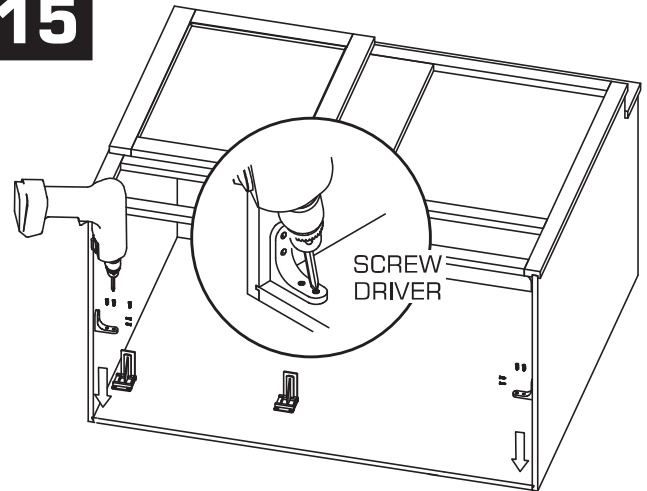
STEP 13



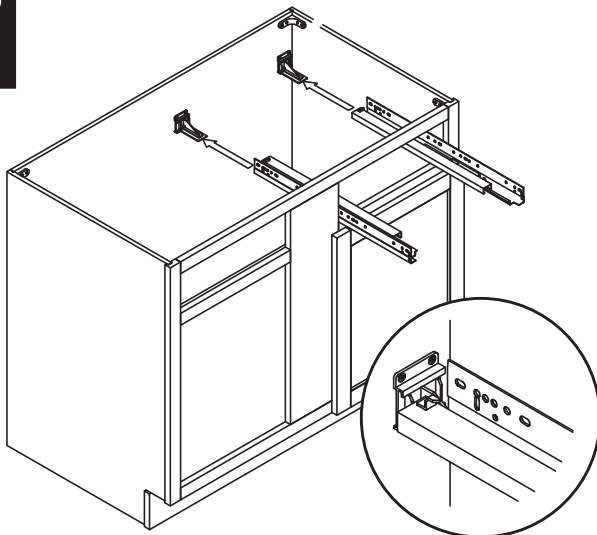
STEP 14



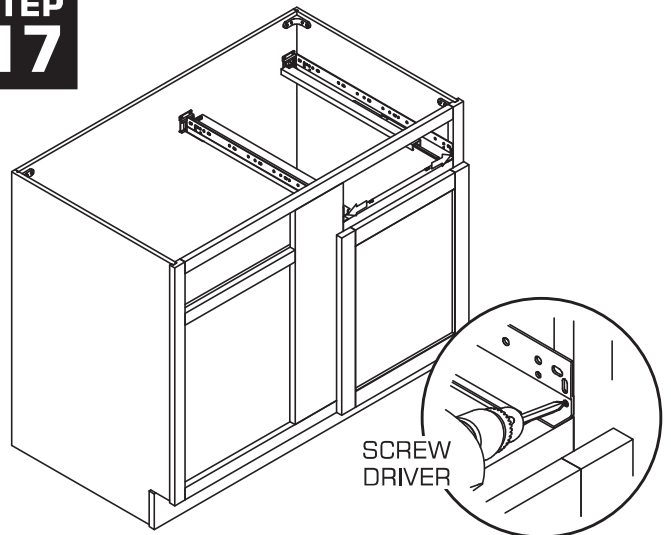
STEP 15



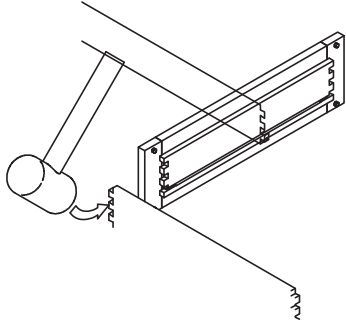
STEP 16



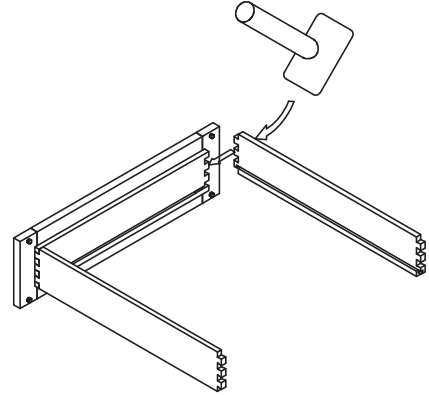
STEP 17



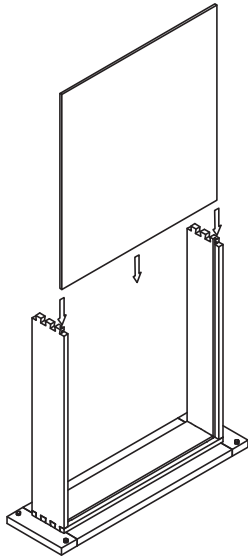
STEP
18



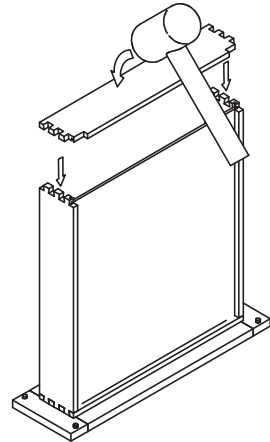
STEP
19



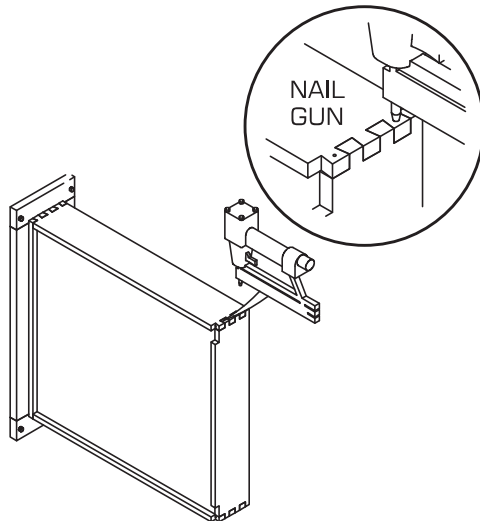
STEP
20



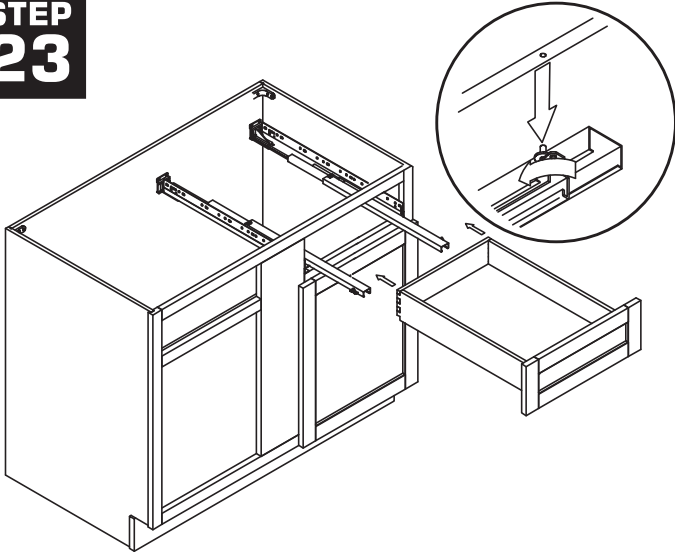
STEP
21



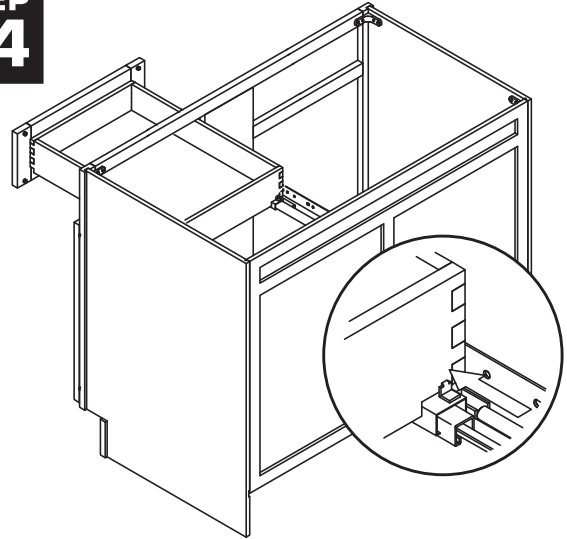
STEP
22



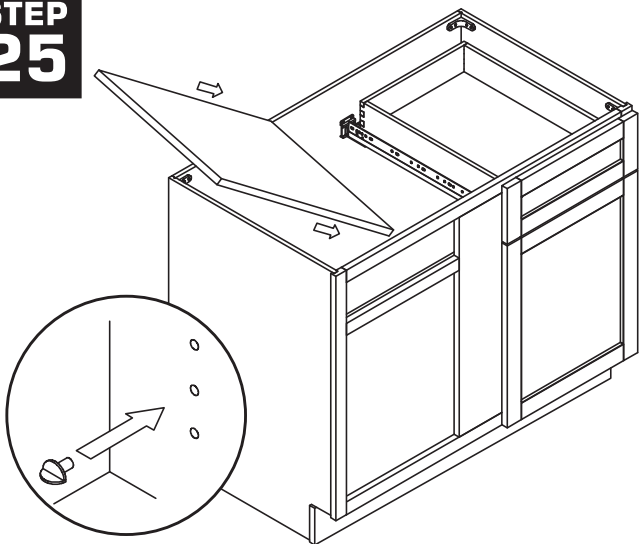
STEP 23



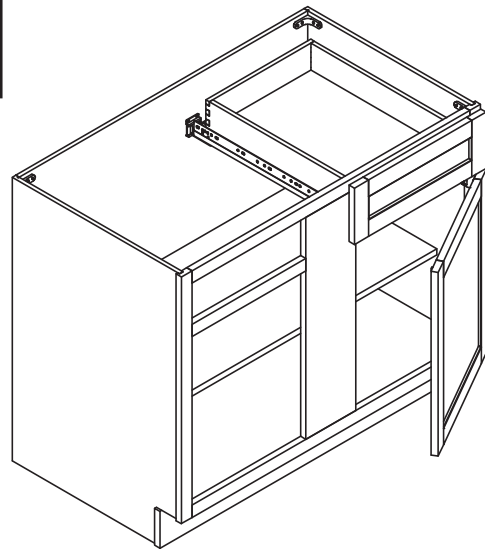
STEP 24



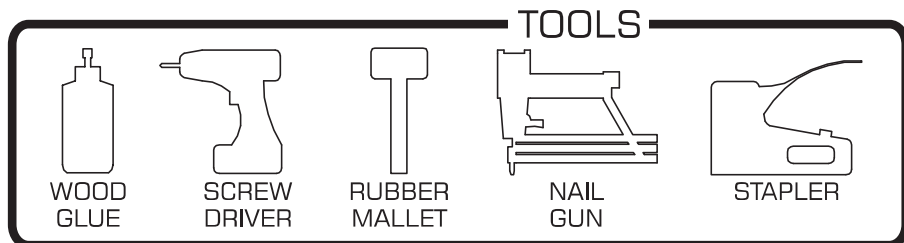
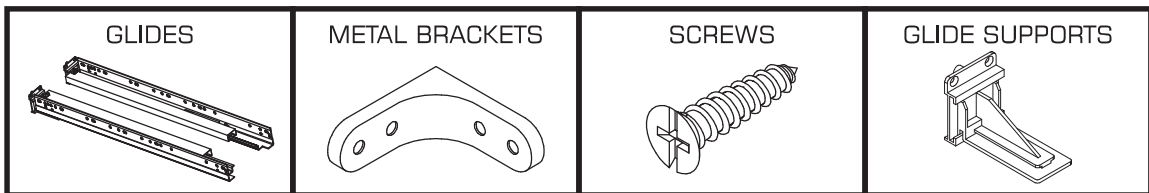
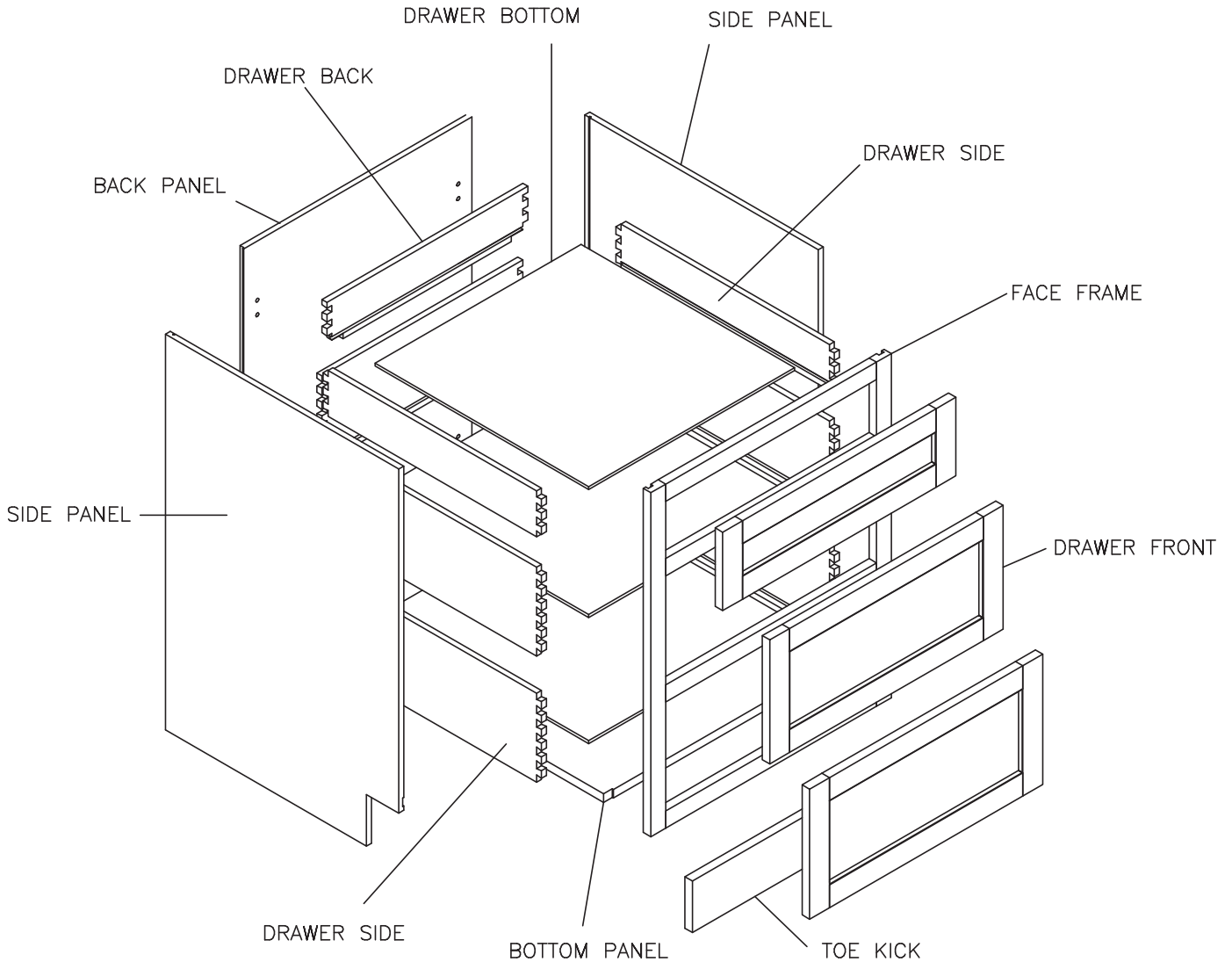
STEP 25



STEP 26

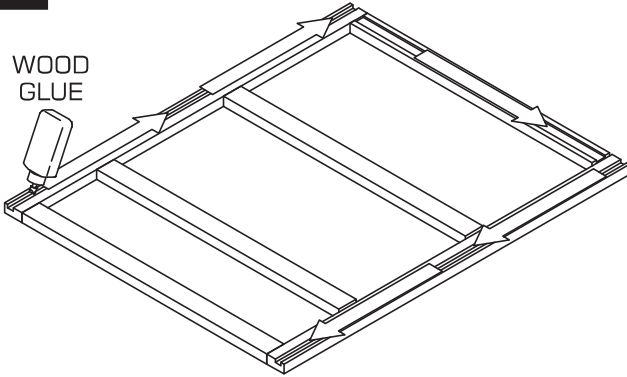


ASSEMBLING INSTRUCTIONS - BASE DRAWER

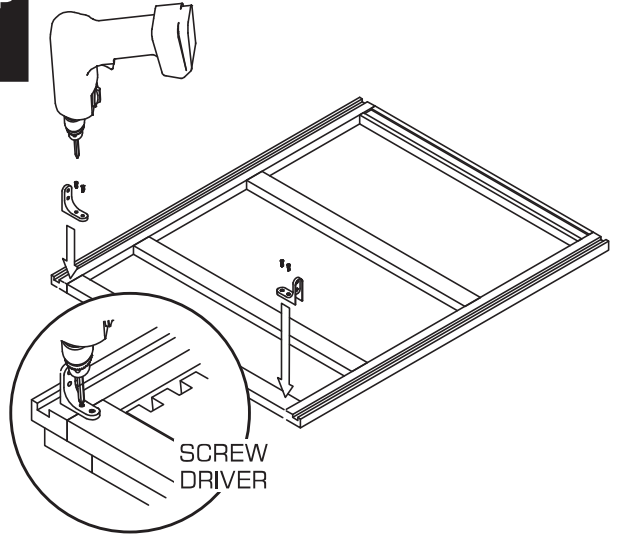


STEP 1

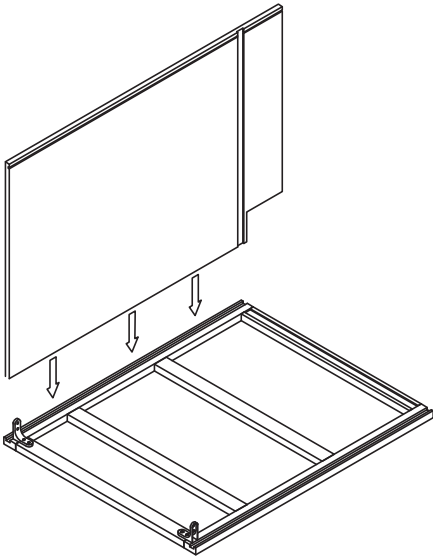
WOOD
GLUE



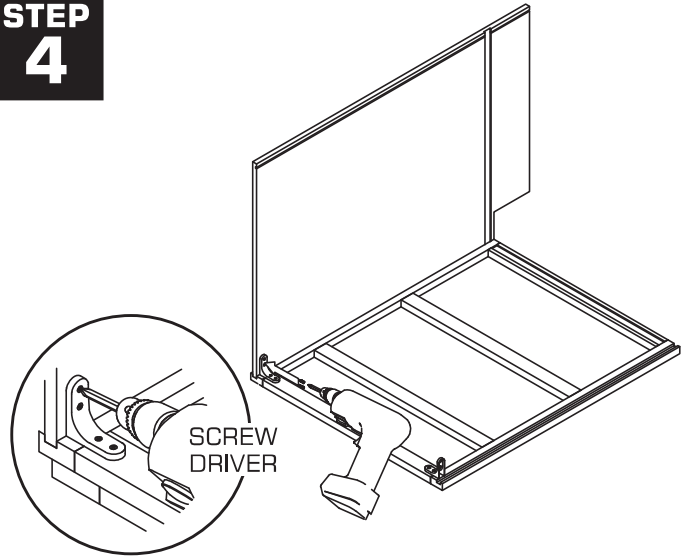
STEP 2



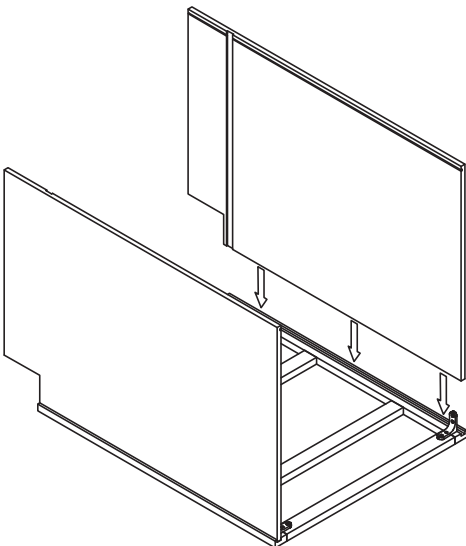
STEP 3



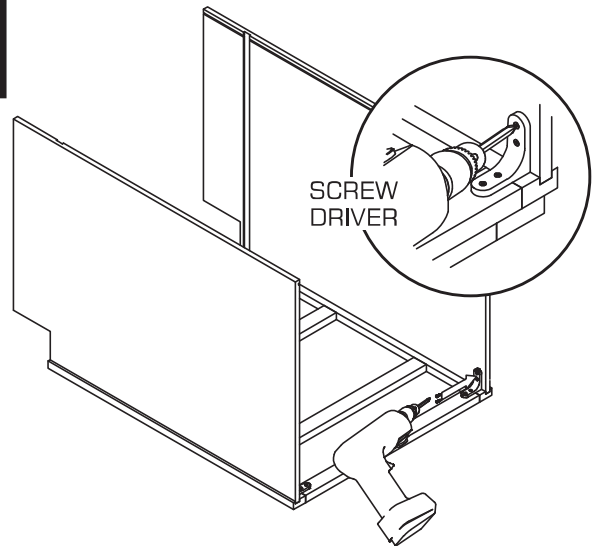
STEP 4



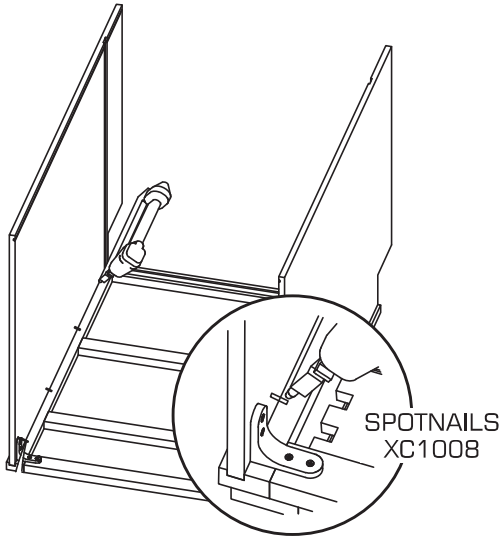
STEP 5



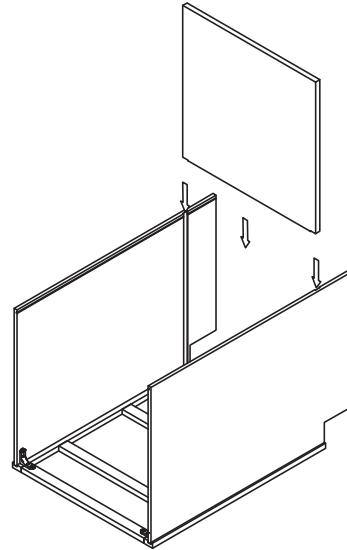
STEP 6



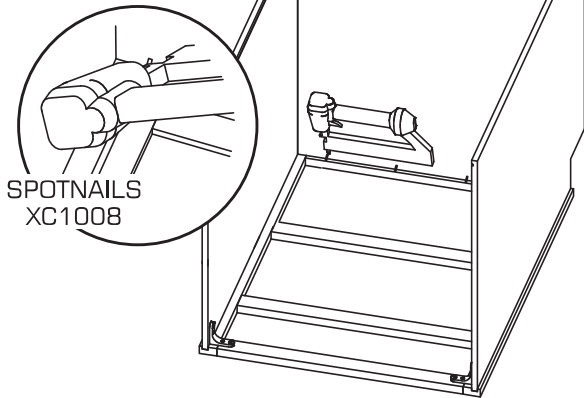
STEP 7



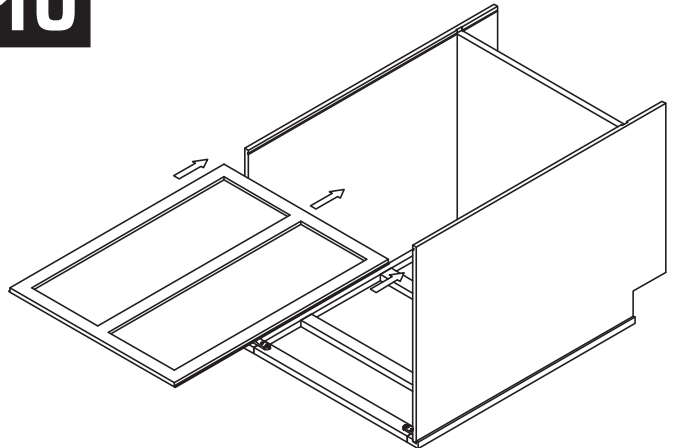
STEP 8



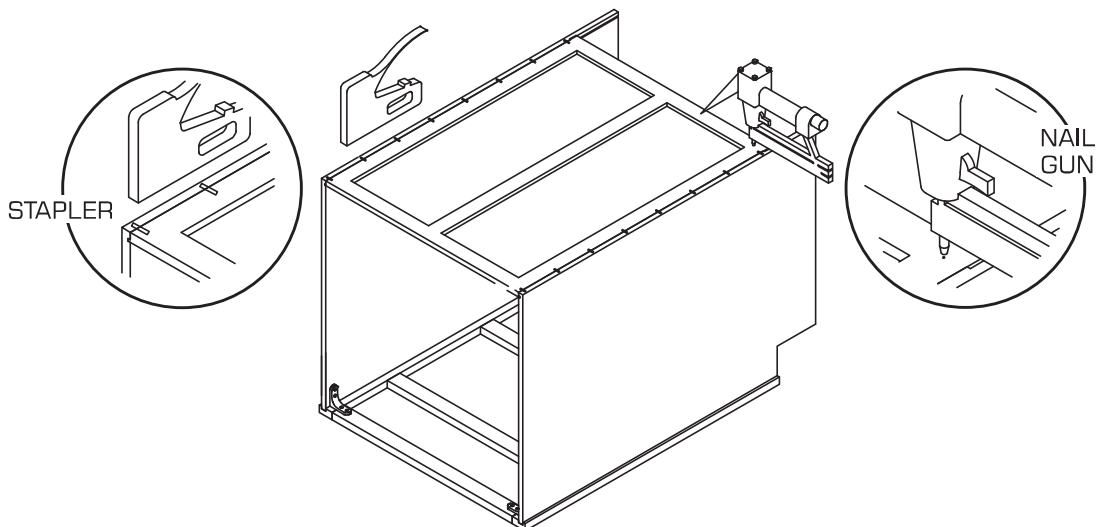
STEP 9



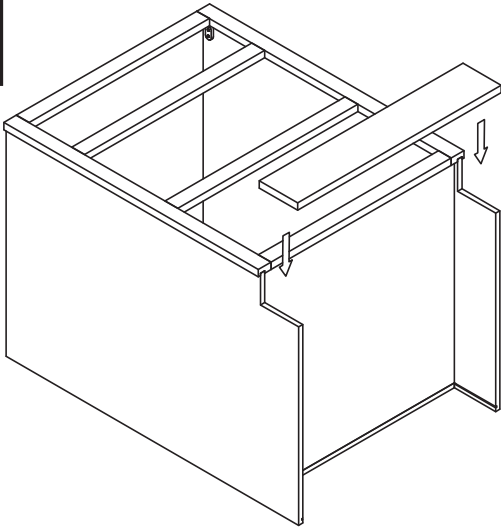
STEP 10



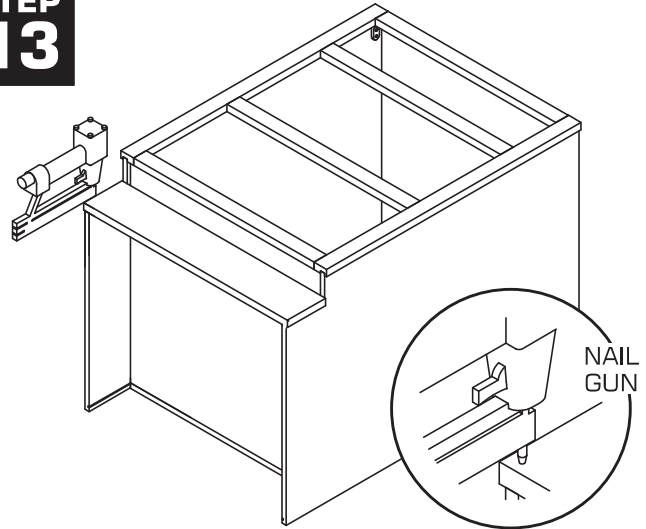
STEP 11



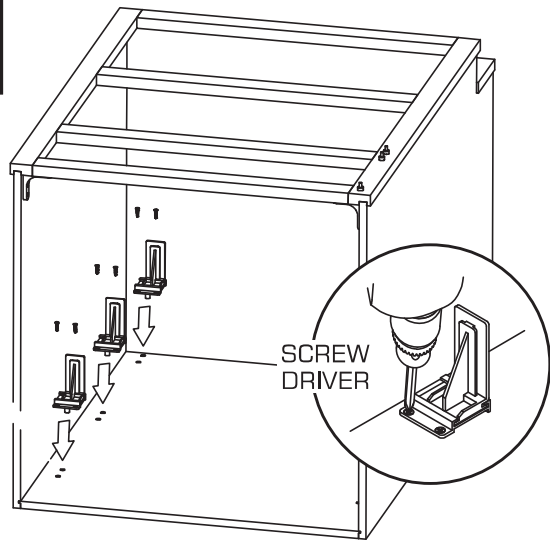
STEP 12



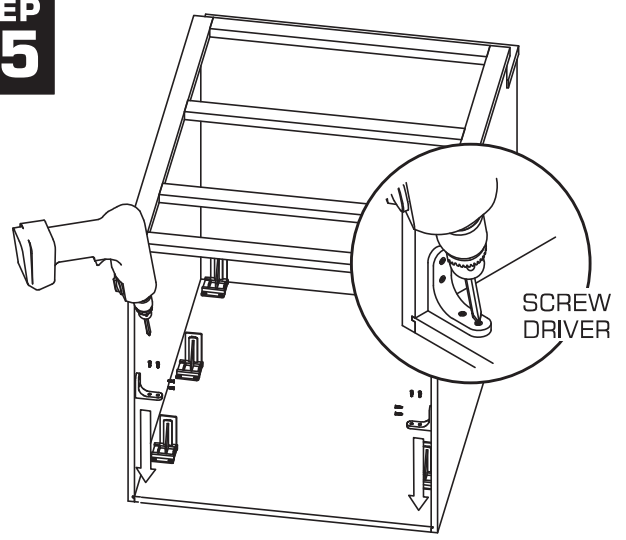
STEP 13



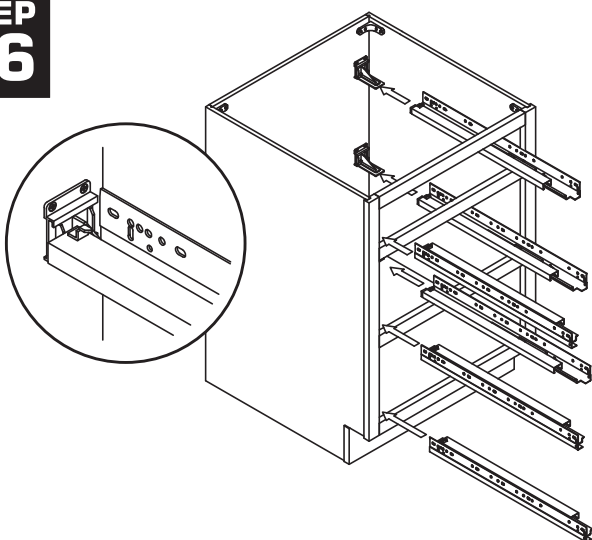
STEP 14



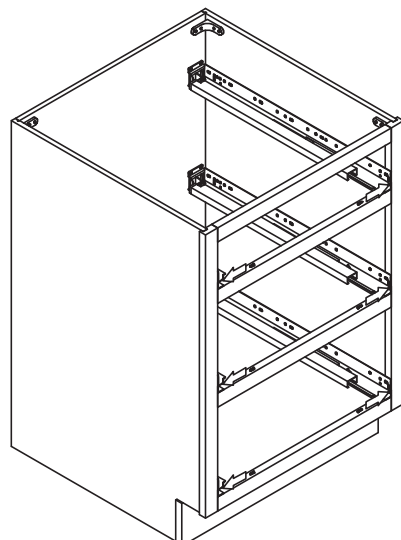
STEP 15



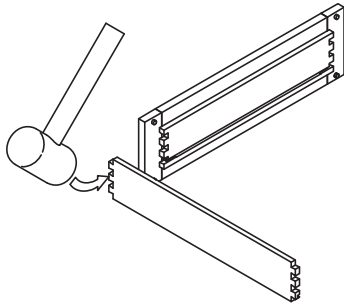
STEP 16



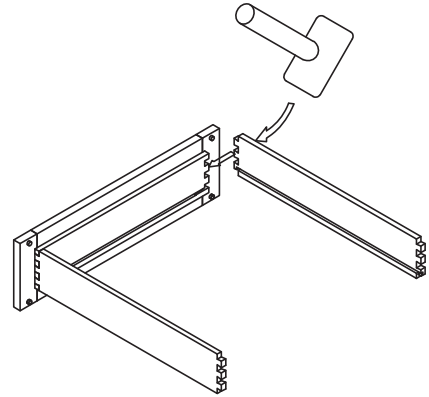
STEP 17



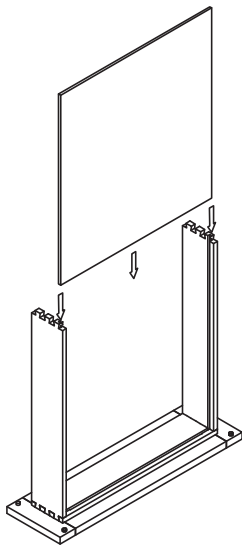
**STEP
18**



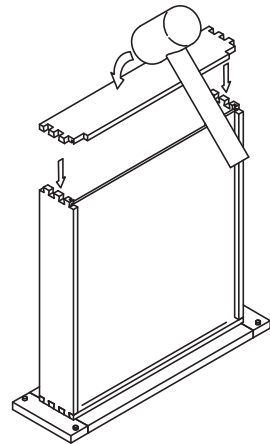
**STEP
19**



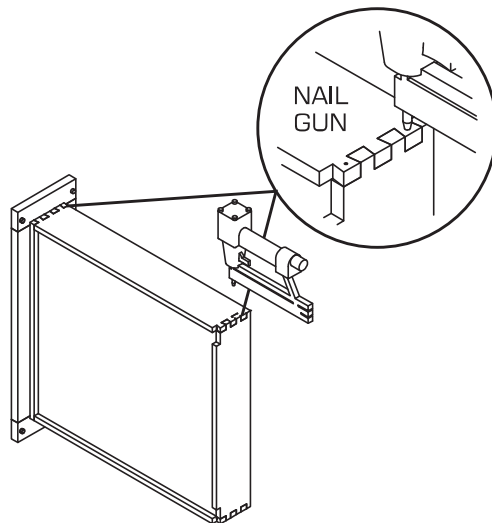
**STEP
20**



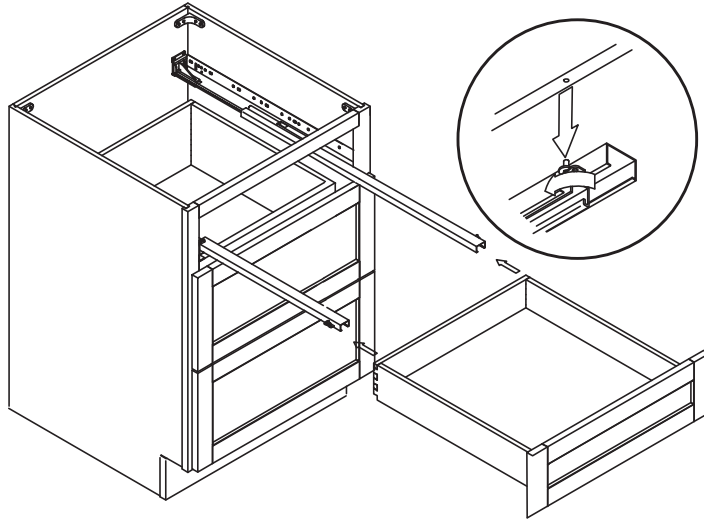
**STEP
21**



**STEP
22**

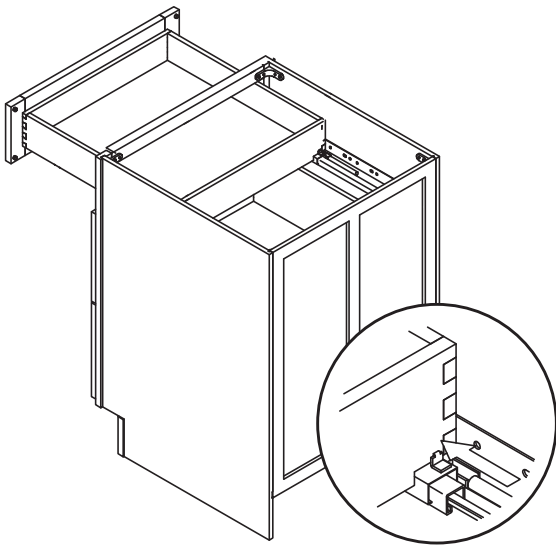


**STEP
23**

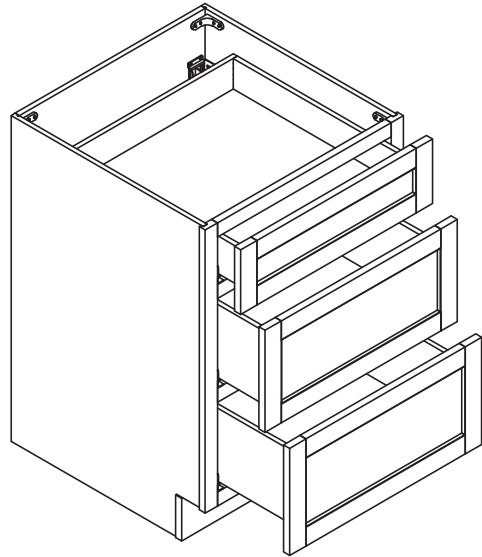


BASE DRAWER

**STEP
24**

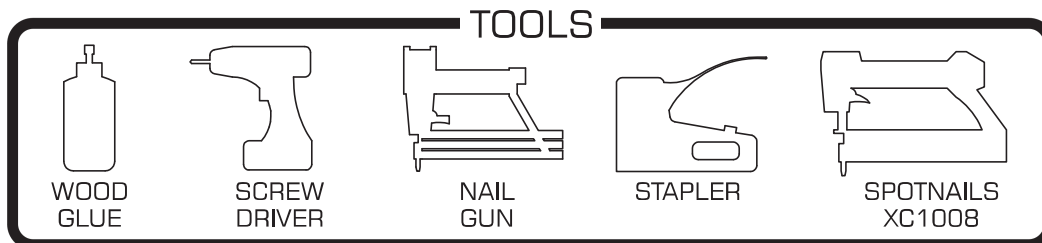
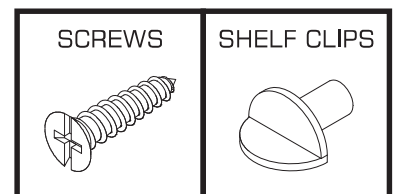
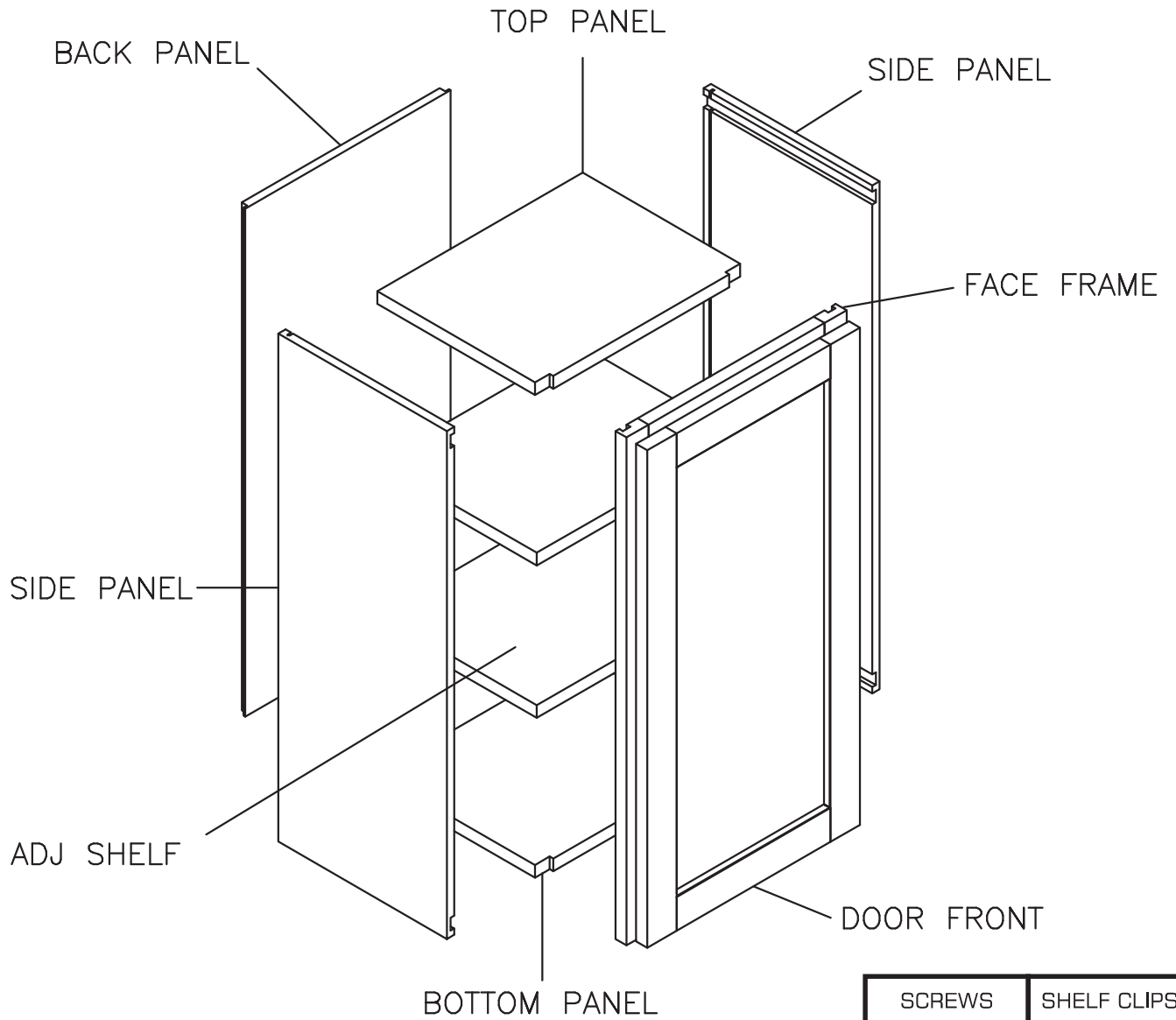


**STEP
25**



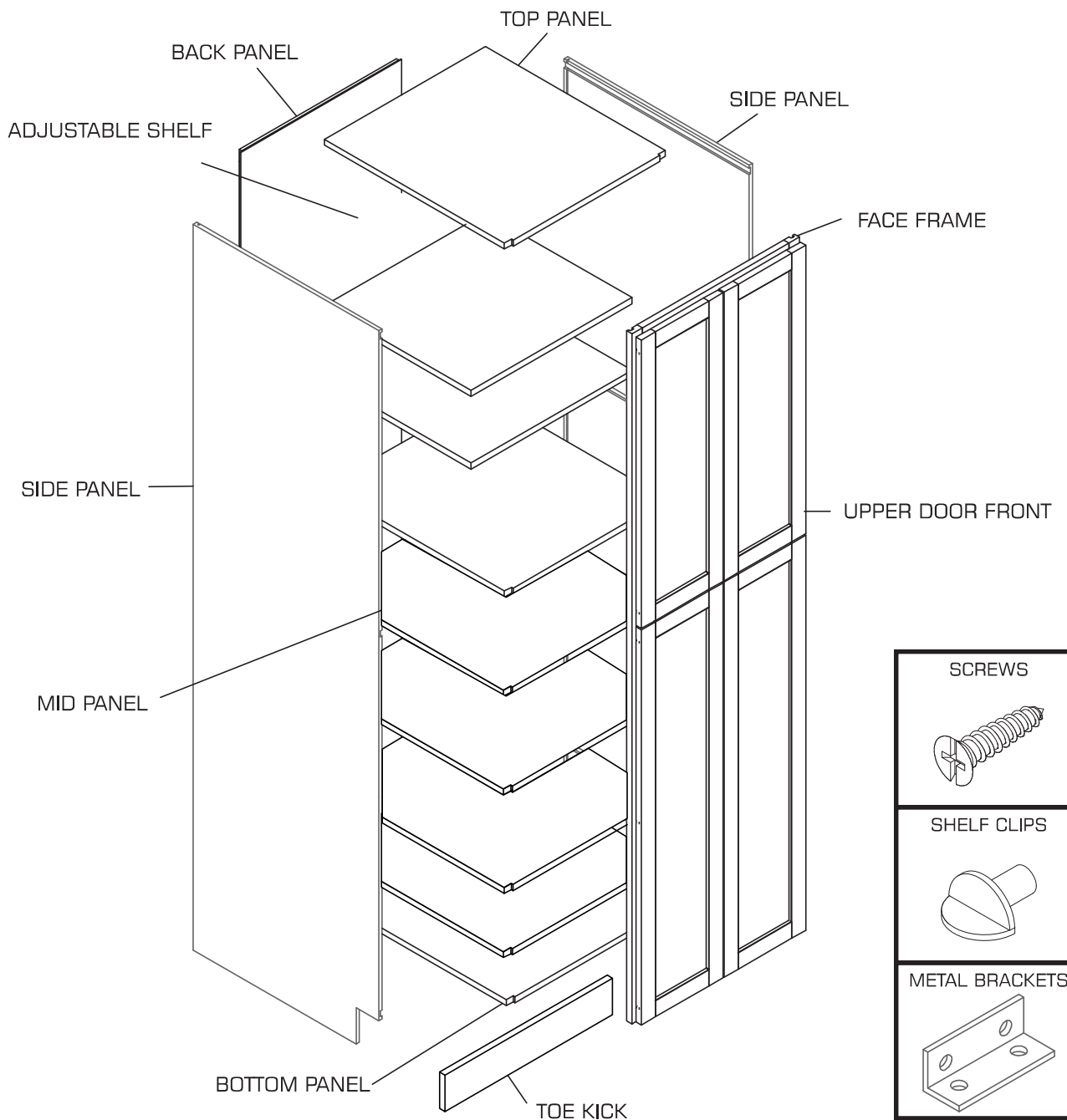
ASSEMBLING INSTRUCTIONS - WALL CABINET

WALL CABINET

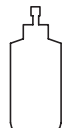



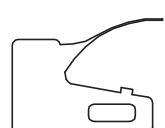


ASSEMBLING INSTRUCTIONS - TALL PANTRY

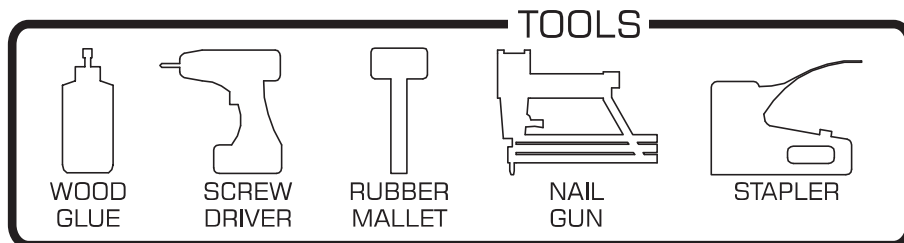
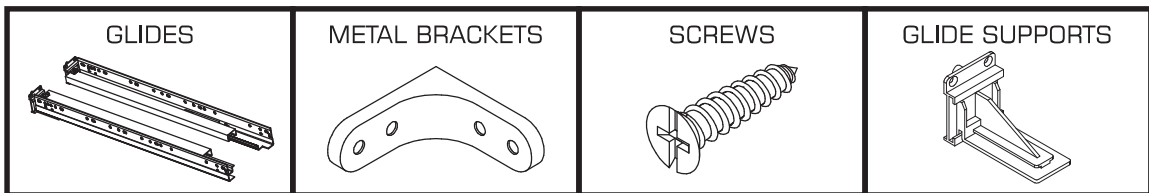
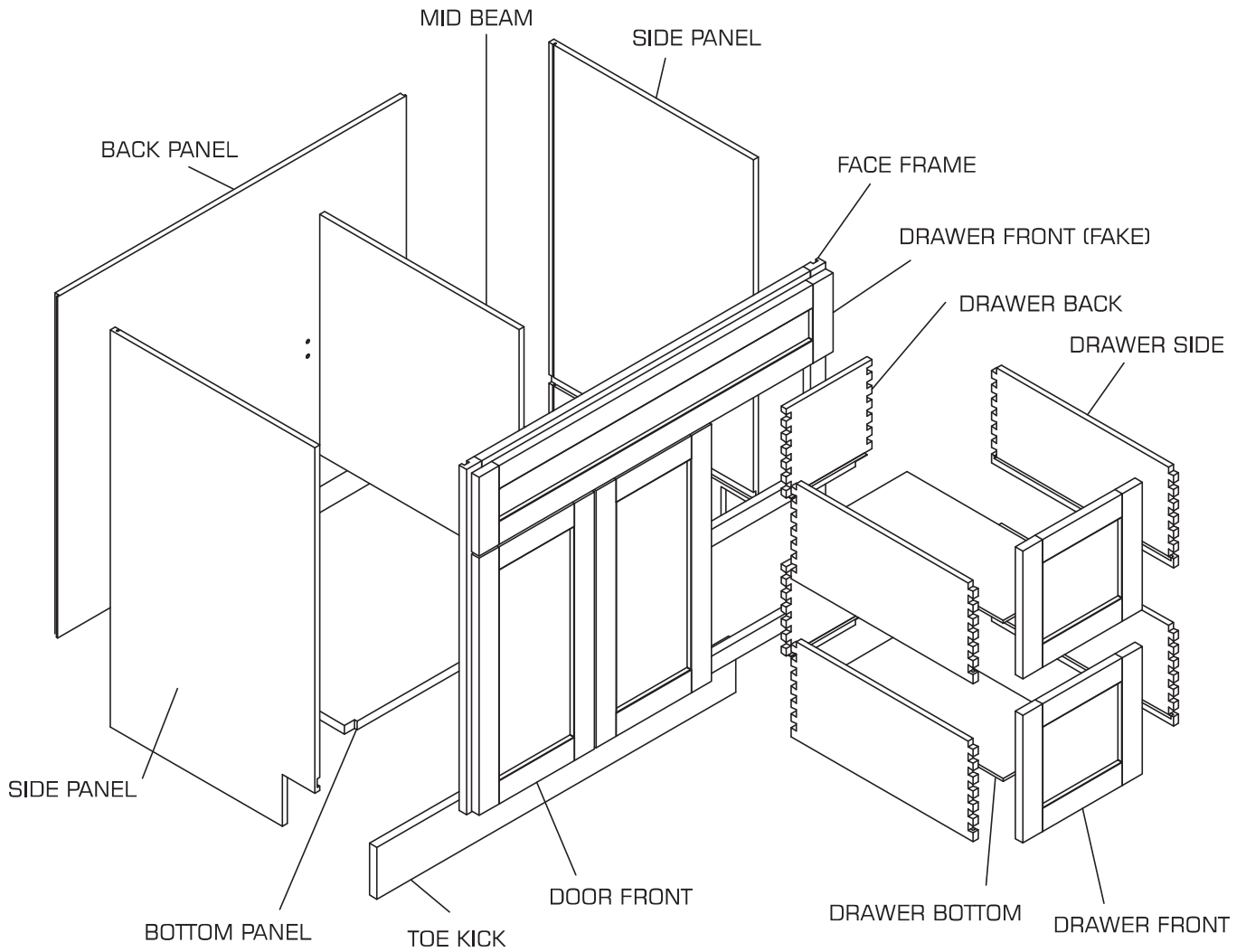
PANTRY



TOOLS

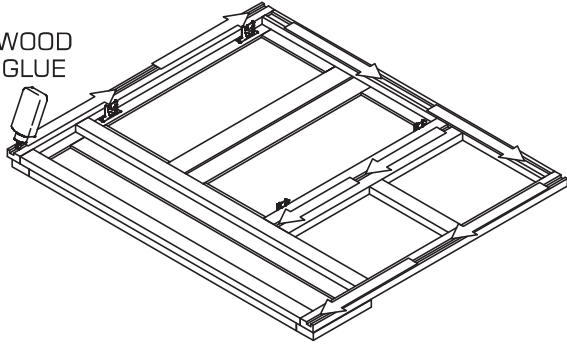
				
WOOD GLUE	SCREW DRIVER	RUBBER Mallet	NAIL GUN	STAPLER

ASSEMBLING INSTRUCTIONS - VANITY CABINET



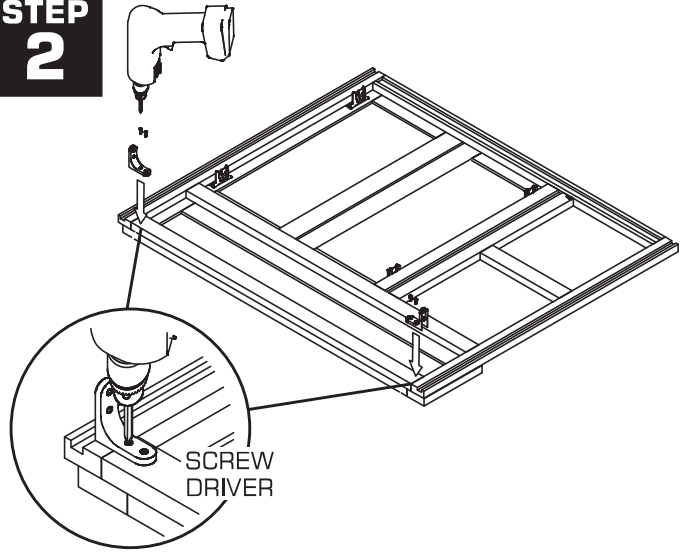
STEP 1

WOOD
GLUE

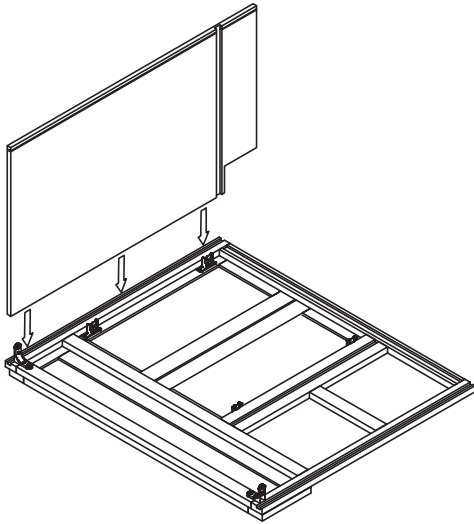


STEP 2

SCREW
DRIVER



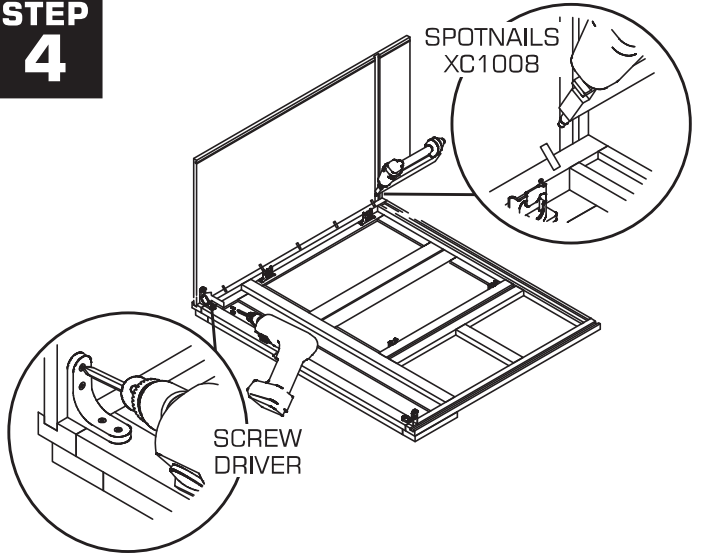
STEP 3



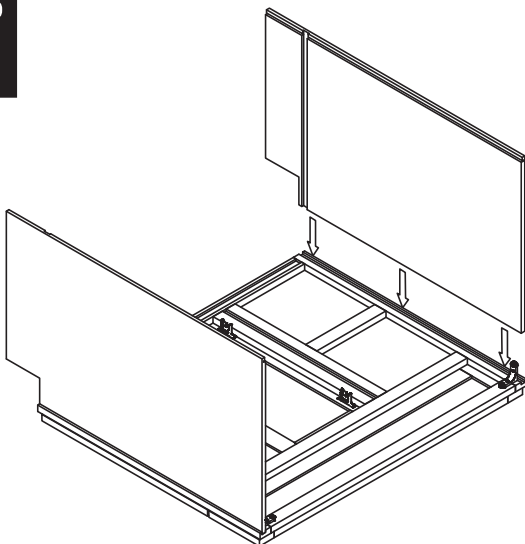
STEP 4

SPOTNAILS
XC1008

SCREW
DRIVER

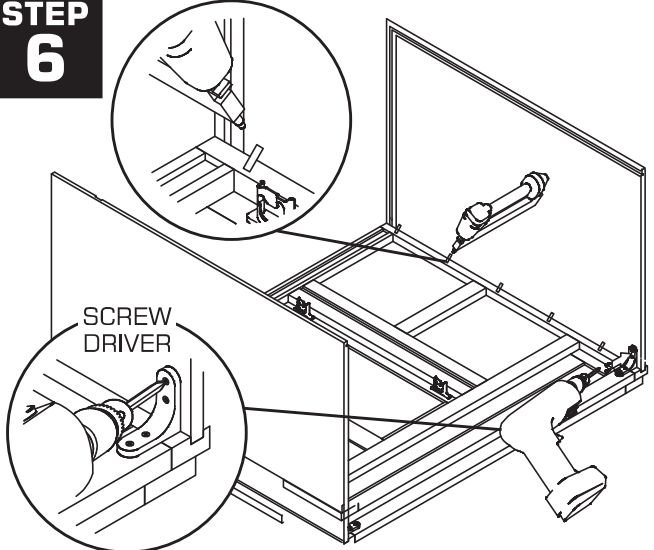


STEP 5

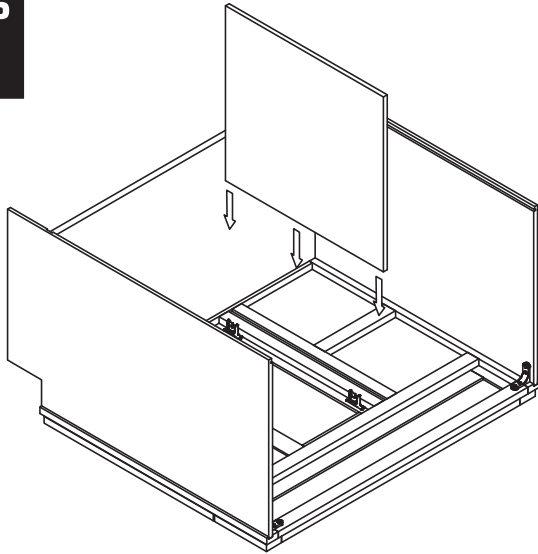


STEP 6

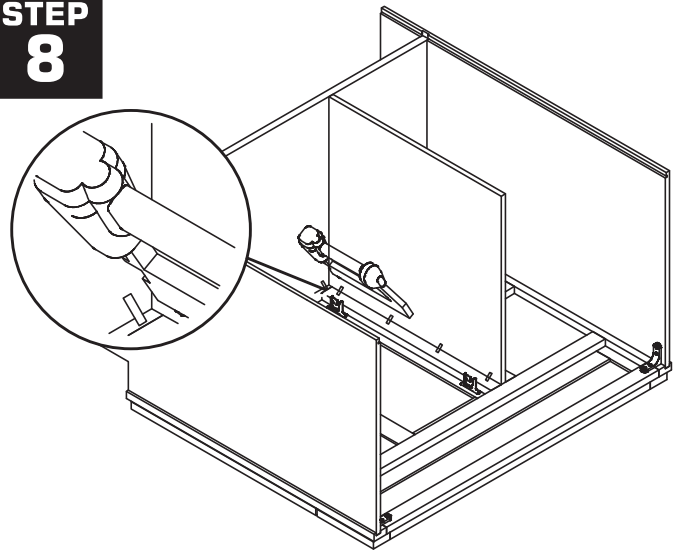
SCREW
DRIVER



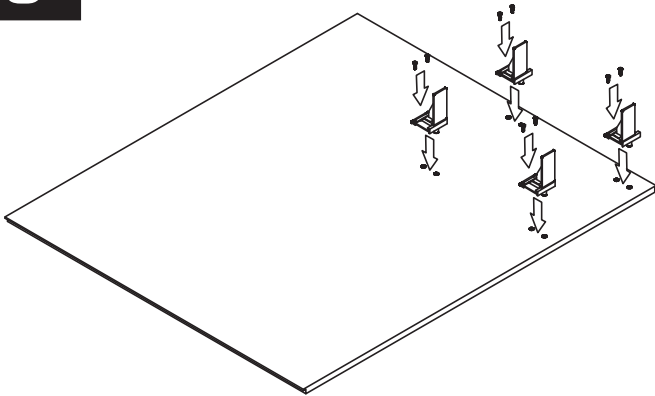
STEP 7



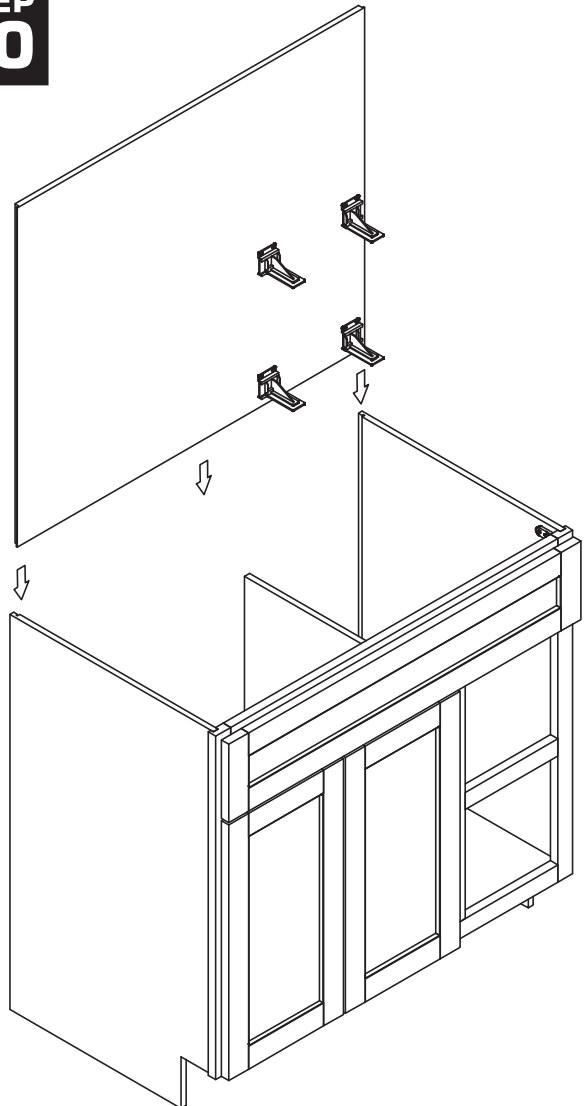
STEP 8



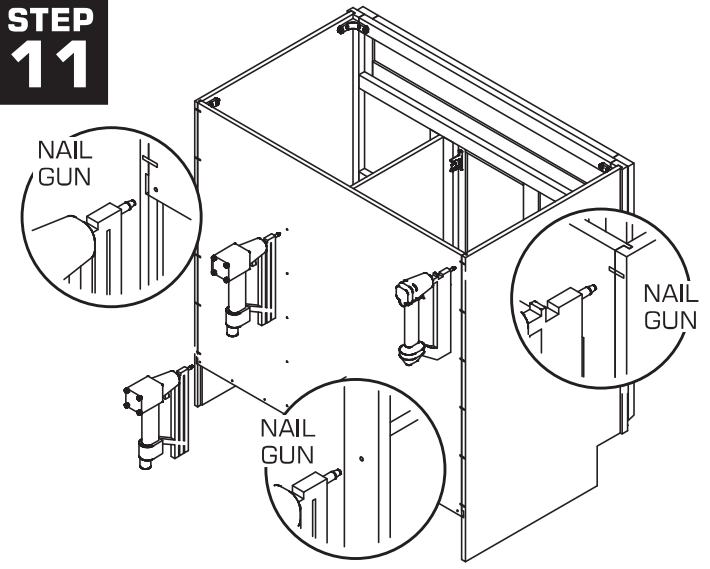
STEP 9



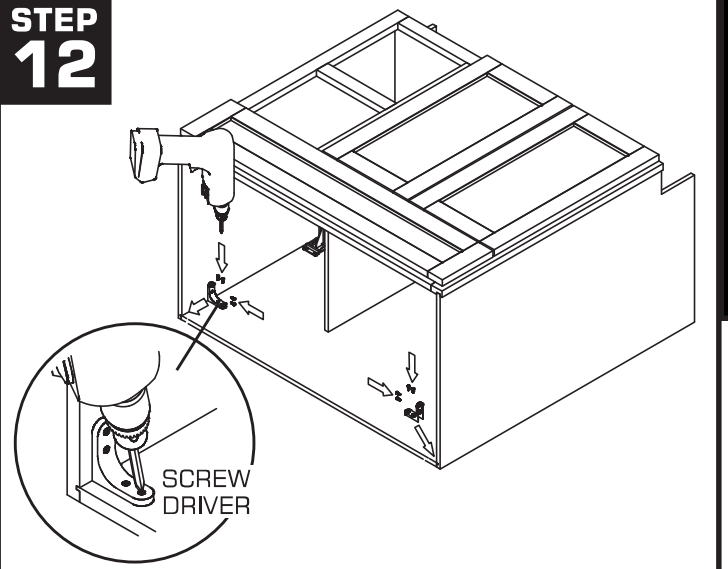
STEP 10



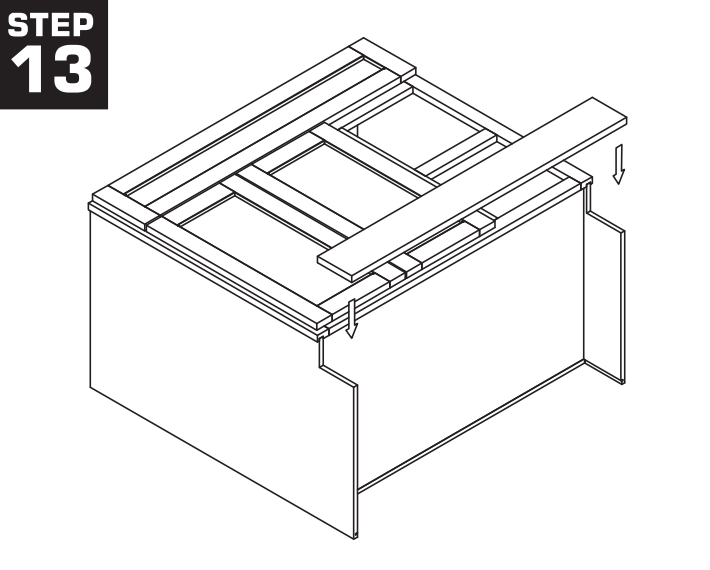
STEP 11



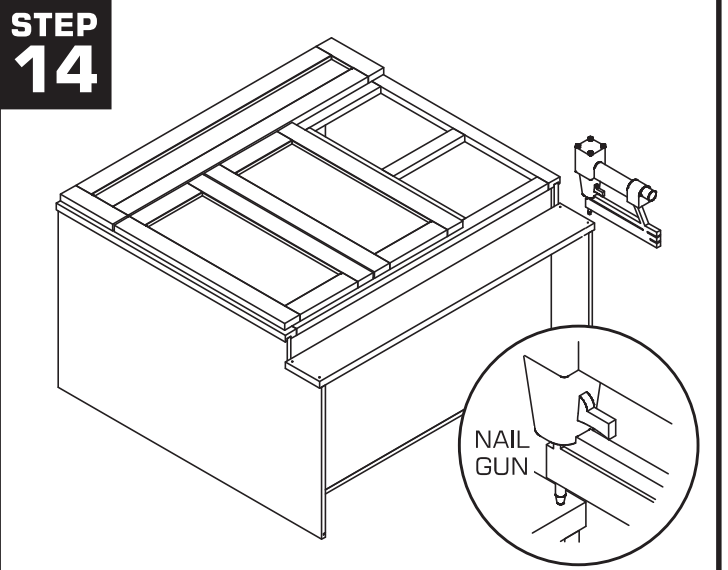
STEP 12



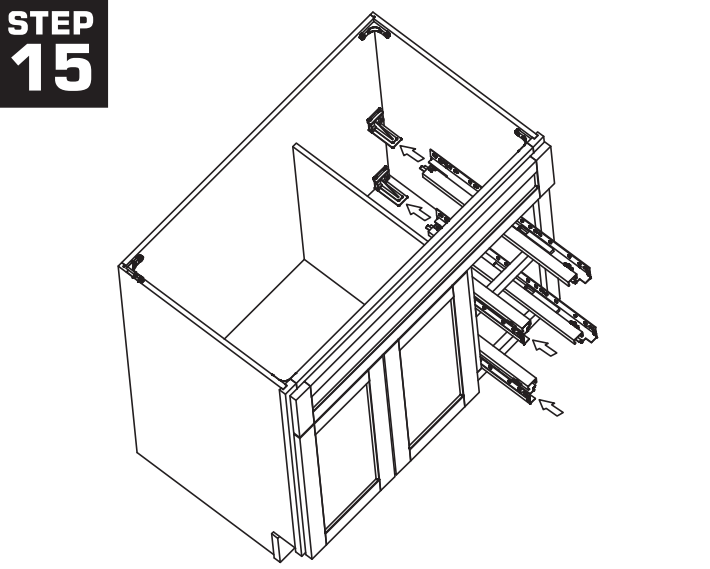
STEP 13



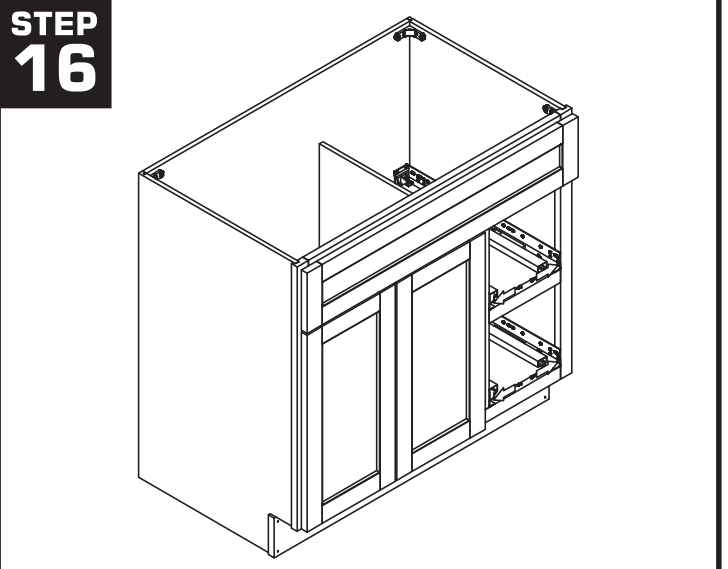
STEP 14



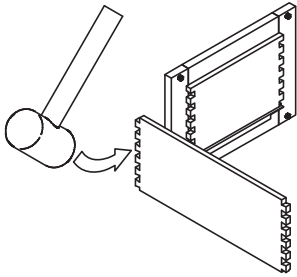
STEP 15



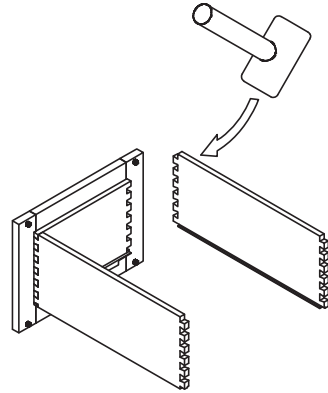
STEP 16



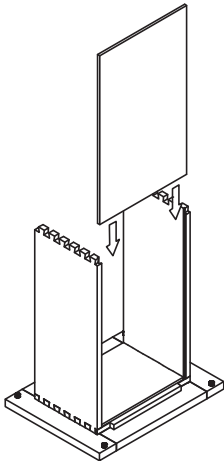
**STEP
17**



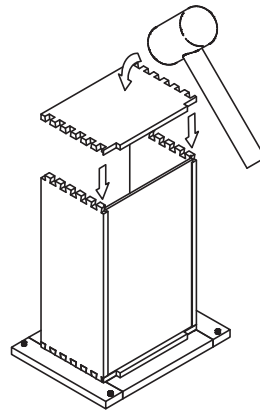
**STEP
18**



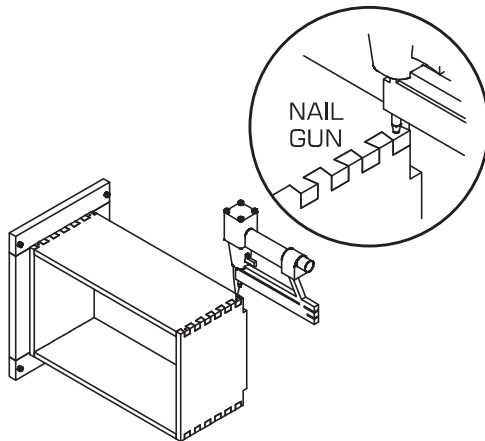
**STEP
19**



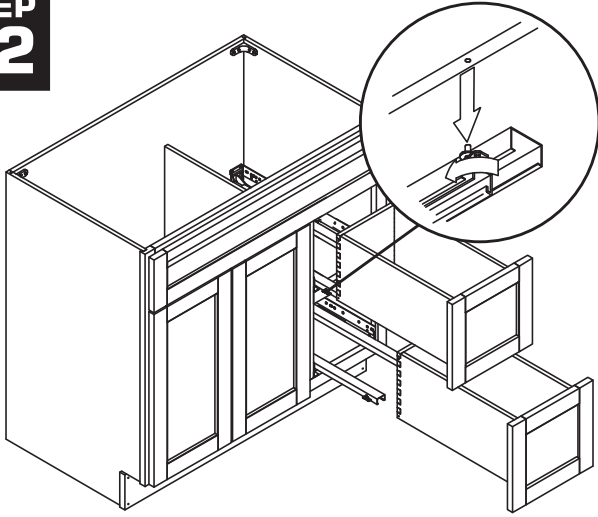
**STEP
20**



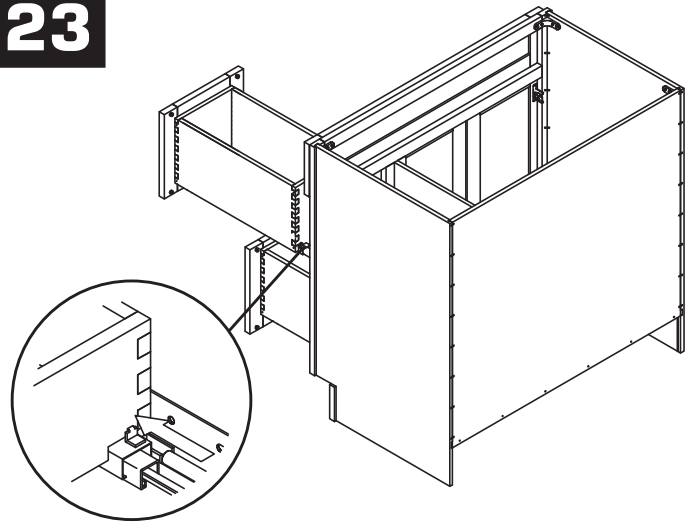
**STEP
21**



**STEP
22**



**STEP
23**



VANITY CABINET

**STEP
24**

